

TEST-NOVA-65-TEST

The Nova-65 features unique and proprietary optics which provide a 360° beam at 5°, 10°, 20° or 30° vertical divergence. Utilizing a highly efficient compact lens, the Nova-65 is a one of a kind, small, lightweight marine beacon. The 10° divergence lens is ideal for fixed or floating aids to navigation while the 20° and 30° lenses provide exceptional performance on buoys. The 5° lens can be used to meet specific needs that require a much further range while still using a minimal amount of power. This general marine use (GMU) version is equipped with a polycarbonate housing, designed to withstand the harsh marine environment.



KEY FEATURES

- Multiple vertical divergence lens options (5°, 10°, 20° or 30°) and IALA colours available
- User selectable power and flash code settings for multiple visual range performance
- GPS synchronization (option)
- Tideland's proprietary SignalView™ program to set user options
- Full monitor and control capability
- A constant current power source provides maximum lifetime of LED's
- Temperature compensated LED drive circuits ensure uniform brightness with ambient temperature change
- Proven long term reliability

STANDARDS/CERTIFICATION

- Complies with IALA recommendation R0201, R0202, R0203, R0204 and R0205 (E-200) – Marine Signal light

PERFORMANCE CHARACTERISTICS

- Effective intensity up to 1704cd
- Luminous range: up to 10.4NM at 0.74T
- IALA colours available: white, red, green and amber
- Horizontal divergence: 360°
- Vertical divergence: see table
- Flash code: up to 256 codes, field selectable

PHYSICAL CHARACTERISTICS

- Dimensions (L x W x H): 230 x 230 x 171 mm
- Weight: up to 077kg (1.7lbs) (depending on lens version)
- Degree of protection: IP66/IP68
- Operating temperature range: -40° to +70°C

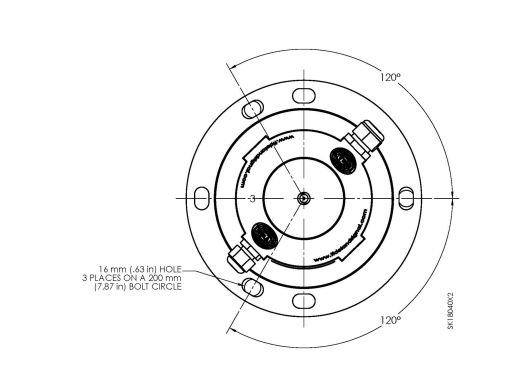
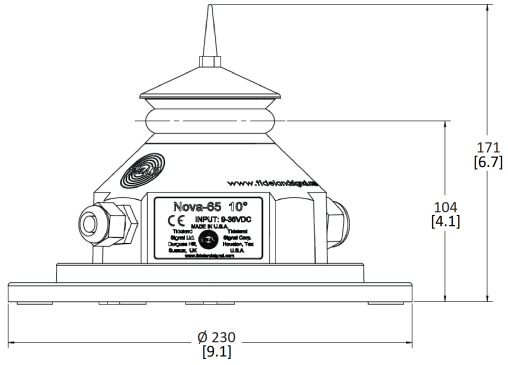
CONTROL & MONITORING

- Sun switch threshold: user selectable
- Hard Wire synchronization
- GPS synchronization (option)
- SignalView™ program to set user options
- Modbus (RS485) for programming and monitoring

TEST-NOVA-65-TEST

Version	Part number	Colour	Vertical divergence	Peak intensity	Max. luminous range
			(50% FWTM)	(cd)	NM @ ATF = 0.74
Nova-65HI Plastic	0101211-00	White	3°	1704	10.4
Nova-65 Plastic	0101201-00 ??	White	5°	961	9.3
Nova-65 Plastic	0101201-00 ??	White	10°	539	8.2
Nova-65 Plastic	0101201-00 ??	White	20°	282	7.0
Nova-65 Plastic	0101201-00 ??	White	30°	238	6.7
Nova-65 Plastic	0101201-01 ??	Red	5°	509	8.1
Nova-65 Plastic	0101201-01 ??	Red	10°	389	7.6
Nova-65 Plastic	0101201-01 ??	Red	20°	169	6.2
Nova-65 Plastic	0101201-01 ??	Red	30°	102	5.4
Nova-65 Plastic	0101201-03 ??	Yellow	5°	569	8.3
Nova-65 Plastic	0101201-03 ??	Yellow	10°	377	7.5
Nova-65 Plastic	0101201-03 ??	Yellow	20°	164	6.1
Nova-65 Plastic	0101201-03 ??	Yellow	30°	149	6.0
Nova-65 Plastic	0101201-04 ??	Green	5°	643	8.5
Nova-65 Plastic	0101201-04 ??	Green	10°	409	7.7
Nova-65 Plastic	0101201-04 ??	Green	20°	277	7.0
Nova-65 Plastic	0101201-04 ??	Green	30°	173	6.2

TEST-NOVA-65-TEST



TEST-NOVA-65-TEST

