

NOVA-250

Long Range Marine Signal Lantern

NOVA-250 features unique proprietary optics engineered to project a 360°, horizontal, high-intensity, long range beam, in excess of 15NM at 115W of power and over 18NM for NOVA-250-3 at a transmissivity factor of 0.74. An efficient and compact lens provides a vertical divergence of 2.4 degrees making it the industry choice for a broad range of applications including offshore structures, land-based installations and lighthouse upgrades. Constructed of rugged, corrosion-resistant marine aluminum, NOVA-250 is able to withstand the most severe environments, including icing regions at extreme latitudes. A combination of high efficiency optics, power conditioning circuitry and high intensity LEDs makes NOVA-250 ideal for solar power installations.



CHARACTERISTICS

- User selectable intensity settings
- User selectable flash characters
- Full monitor and control capable
- Multiple channel power supplies assure light operations are sustained in the event of failure of one channel
- A constant current power source provides maximum lifetime of LEDs
- SignalView™ program for easy setting of options



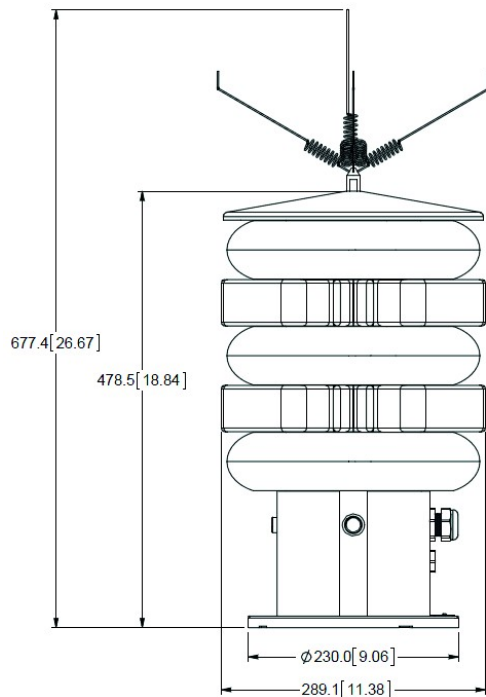
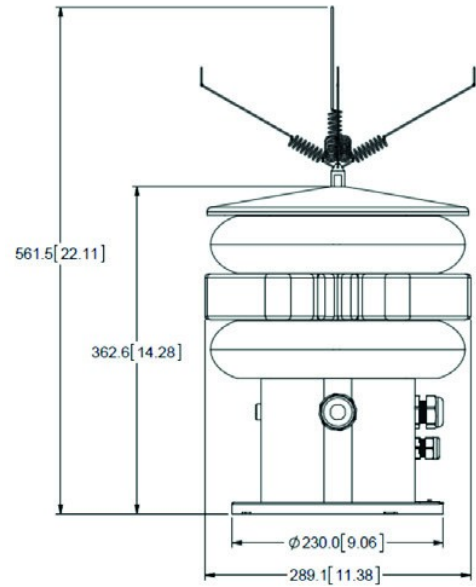
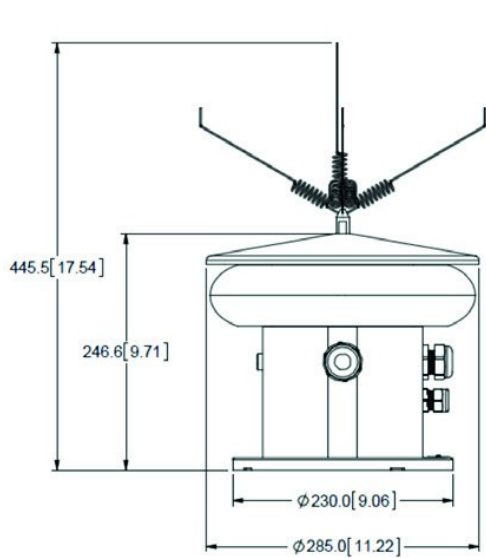
NOVA-250

Long Range Marine Signal Lantern

Technical Details	
Input Voltage	9 to 36VDC
NOVA-250	>15NM
NOVA-250-2	>18NM
Maximum rated power at 50% duty cycle	
White (1 Tier)	Variable up to 115W
White (3 Tier)	Variable up to 390W
Red (2 Tier)	Variable up to 135W
Green (2 Tier)	Variable up to 146W
Quiescent Current	
Light Only	<4 mA
With GPS (avg)	<5 mA
Colours available	White, red, green and yellow
Lens Type	Aspheric toroidal acrylic
Visibility	360° horizon (omnidirectional)
Lens Diameter	243mm
Vertical Divergence	2.4°
Monitor and Control	Capable
Lantern Housing	Marine grade aluminum
Height	
1 Tier	12kg (27lbs) 445mm (17.5in)
2 Tier	22.3kg (49lbs) 561mm (22.1in)
3 Tier	32.5kg (72lbs) 677mm (26.7in)
Base Plate Diameter	230mm (9.1in)
Operating Temperature	-40° C to +60° C
Relative Humidity	100% condensing
Wind	Designed to withstand speeds of 320kmph (200mph)
IP Rating	IP67
Shock	75G
Vibration	10 to 2000Hz on 3-axis
ESD	4kV/8kV
Radiated Emissions	30MHz to 1 GHz
Radiated Immunity	80MHz - 1GHz, 3V/m
Radiated Immunity	2GHz - 2.7GHz, 1V/m

NOVA-250

Long Range Marine Signal Lantern





NOVA-250

Long Range Marine Signal Lantern

