

V-20 Informer™

V-Track™

The V-Track™ V-20 Informer™ is an AIS information provider and remote monitoring system for use on marine aids to navigation (AtoN) and other structures. The V-20 Informer™ is available in two options: “Type 1” is a transmit only device, and “Type 3” is a transmit and receive device that can be configured over the air and has chaining functionality. For most applications a transmit only device provides the ideal AIS AtoN solution. The V-20 Informer™ is a compact unit housed in a rugged environmental enclosure for use on any AtoN. With a power consumption of less than 0.09Ah/day for a Type 1, the V-20 Informer™ is suitable for solar installations, including buoys anywhere in the world. Tideland Signal has adopted the emerging IEC standards defining the functions and message structure contained within the AIS AtoN message. The V-20 Informer™ complies with IEC and ITU requirements and also IALA recommendations. It has the following approvals: Industry Canada, R&TTE, BSH, FCC. In addition, both the Type 1 and Type 3 V-20 Informer™ have optional remote monitoring capabilities. It is capable of remote monitoring almost any manufacturer AtoN. When monitoring a Tideland Signal lantern, the standard system provides lantern status, battery voltage (loaded and unloaded) and an extra available input. The V-20 Informer™ broadcasts AtoN message 21 and also has the capability of broadcasting meteorological, hydrological and remote monitoring data.



CHARACTERISTICS

- VIRTUAL AND SYNTHETIC – AtoN There are situations that require the authorities in charge to create either virtual or synthetic aids to navigation using their existing AIS infrastructure. For these cases, the V-20 Informer™ is ideal as it supports both virtual and synthetic AtoN.
- PROGRAMMING SOFTWARE – The V-20 Informer™ is supplied with a comprehensive software application that enables the user to program the unit via an optional USB interface.



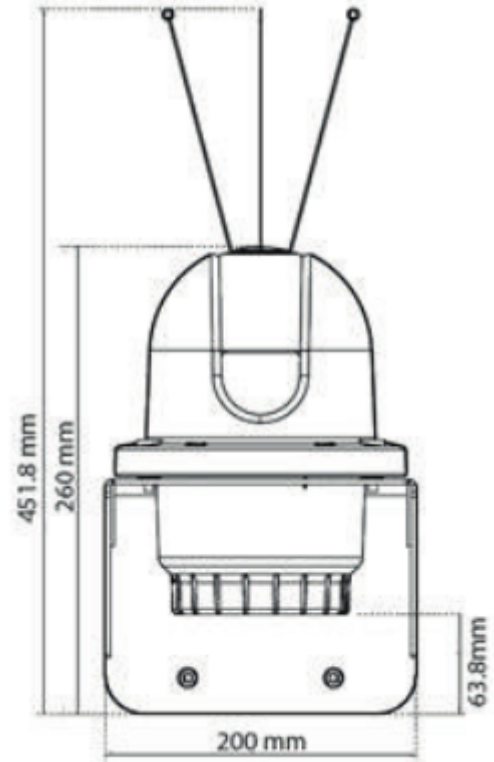
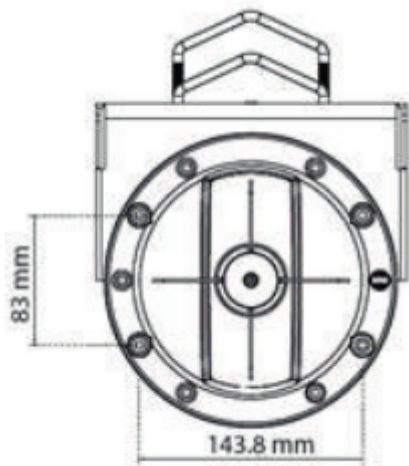
V-20 Informer™

V-Track™

Technical Details	
IP Raing	IPx6 and IPx7
Designation	Automatic Identification System (AIS) for AtoN
Power Supply	
Type 1 Power Consumption	12VDC nominal
Type 3 Power Consumption	from 0.09Ah/day*
	0.8Ah/day*
	*At 12.5W, reporting interval 3 minutes
Temperature Range	-25° C to +55° C
Message 21 Content	
	MMSI Number, Name of AtoN, Position Accuracy, RAIM Indicator Type of Position Fixing Device,
	Time Stamp, Dimension of AtoN, Type of AtoN, Virtual AtoN Target Flag, 8 bits reserved for regional application.
Transmitter Performance	156.025MHz to 162.025MHz in 25kHz steps
TX Frequency Range	±500Hz
Frequency Accuracy	9,600 bps
Data Range	2/5/12.5W (programmable)
TX Power Control	
Receiver Performance (Type 3 Only)	156.025MHz to 162.025MHz in 25Hz steps
RX Frequency Range	-110dBm @ 20% PER
Sensitivity	
Standard Compliance	IEC 60945 Ed. 4, IEC 61162-1/2 Ed. 2, IEC 62320-2 Ed. 1
	IEC61108-1, ITU-R M. 1371-4, IALA A-126 Ed. 1.4
Optional Sensor Board	
	5 – Isolated digital inputs
	2 – Isolated analogue inputs
	3 – Non isolated digital inputs
	2 – Relay drive outputs
	1 – Current sensor up to 5A
	1 – IEC61162-1 PORT AT 38400 baud
	2 – RS232 ports
	SDI-12 interface
Interface	USB for configuration
	2 – IEC61162-1 Ports at 38400 baud
Physical	
Diameter	235mm high x 188mm
With Bird Spikes (optional)	452mm high x 188mm
Weight	1.2kg

V-20 Informer™

V-Track™





V-20 Informer™

V-Track™

