

# TSL-100 PEL Light

High Intensity Precision Port Entry Leading (PEL) Led Light

---

Tideland offers a port entry leading (PEL) light solution that promotes safety and provides precise direction. The TSL-100 high intensity precision LED sector light offers accurate guidance from a single site location. The arc of the white sector determines the range of the light. The red, green and white sectors can be adjusted. Leveling and aligning can be made with a rifle scope (not included) for which attachment provisions are made. As different types of condenser systems can make the desired divergence angle, every TSL-100 sector light may be customized to suit specific requirements. A GPS signal-based synchronization is available.



## CHARACTERISTICS

- Life expectancy is approximately 100,000 hours
- 256 pre-programmed IALA flash codes
- Stainless steel base with two layers of polyurethane coating in white
- Optical horizontal divergence is available in 3.5, 10 and 20 degrees
- GPS signal-based synchronization
- High intensity red, green, yellow and white LED lighting options
- 600,000 maximum candela intensity
- Integrated daylight switch



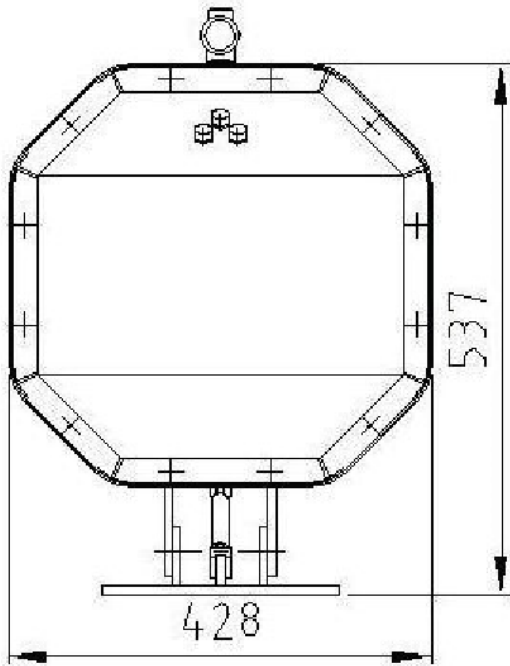
# TSL-100 PEL Light

High Intensity Precision Port Entry Leading (PEL) Led Light

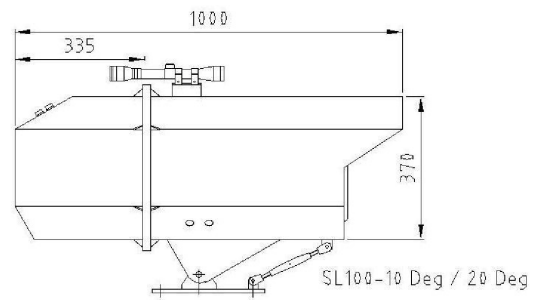
| Technical Details           |  |
|-----------------------------|--|
| Application                 | Port entrance leading light                          |
| Optics                      | Condenser type                                       |
| Color Filters               | Glass adjustable                                     |
| Surface Treatment           | 2 layers of polyurethane coating in white            |
| Heat Filter                 | Glass  |
| Base Material               | Stainless Steel                                      |
| LED type                    | High intensity, red, green, yellow and white         |
| Flasher                     | 256 pre-programmed IALA flash codes                  |
| Daylight Switch             | Integrated   |
| Input Voltage               | 24VDC  |
| Connection                  | Screw terminal                                       |
| Cable Entry                 | Cable gland PG 13.5                                  |
| Horizontal Divergence       | Depending on optics, from 3.5, 10, and 20 degrees    |
| Vertical Divergence         | 4 degrees  |
| Vertical Adjustment of Base | Approximately 10 degrees                             |
| Intensity                   | Depending on rating. Up to 600,000 candela with 150W |
| Weight                      | 25-100 kg, depending on angle                        |

# TSL-100 PEL Light

High Intensity Precision Port Entry Leading (PEL) Led Light



BACKVIEW



# TSL-100 PEL Light

High Intensity Precision Port Entry Leading (PEL) Led Light

