



DM-390

Multipurpose Buoy

The DM-390 can accommodate Tideland's L-120 LED light. Depending on configuration, this light has an approximate focal plane of 928 mm (3ft). Available in can or conical shapes.



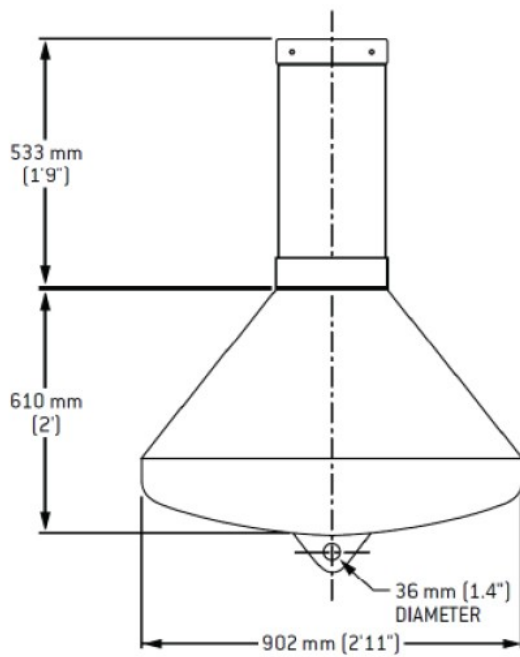
BENEFITS OF THE DM-390 INCLUDE:

- Light weight and portable – Can easily be transported by boat and handled by one person.
- Durable – Hard plastic shell makes it resistant to multiple impacts and temperature variations.
- Quick and Easy deployment – Small base allows the buoy to be easily “set” in the water with minimal complications.
- Adaptable to multiple uses – Large top can be used to secure lanterns for better marking.

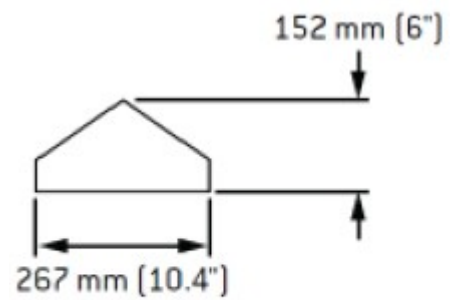
DM-390

Multipurpose Buoy

| Technical Details | |
|----------------------|--|
| Construction | Rotationally moulded in UV stabilized virgin polyethylene, 9.5mm thick |
| Foam Filling | Expanded polysterene foam |
| Buoy Diameter | 902mm (2 ft 11 in) |
| Air Weight | 18kg (39lbs) |
| Surface Color | As specified |
| Maximum Mooring Load | 113kg (250lbs) |



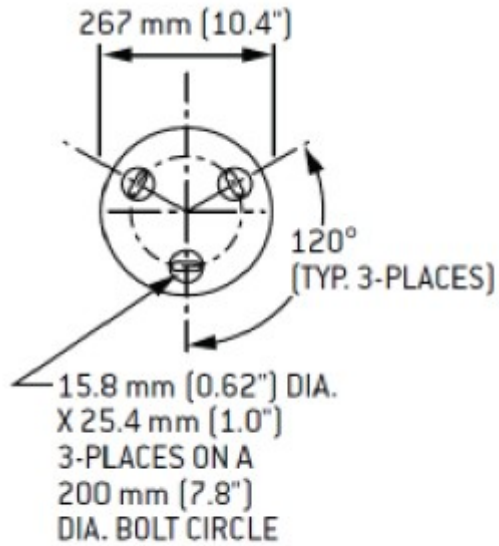
DM-390D



CONICAL TOP

DM-390

Multipurpose Buoy



BOLT PATTERN