

AB-68 Ex

Audiobeam® 2NM Fog Signal

The AB-68-Ex Audiobeam® is a multi-emitter array that broadcasts a 360° beam of sound in the horizontal plane to a preselected code. Designed for use on offshore installations in hazardous gas environments.





AB-68 Ex

Audiobeam® 2NM Fog Signal

CHARACTERISTICS

- **EMITTER UNITS** – The emitters are heavy-duty electromagnetic types with phenolic-coated linen diaphragms in watertight manganese bronze enclosures. They are highly resistant to corrosion and operate at only 25% of rated capacity ensuring the longest service life.
- **ELECTRONIC CONTROL UNIT** – Tideland's ECU 800 generates the selected code. In the Main/Secondary arrangement 2 x ECU are used, one duty and one standby. A current monitor will automatically change over from the duty to the standby unit and report an alarm to a central monitor panel. Any 2 driver units are sufficient to meet a ½ mile secondary range requirement.
- **STRUCTURE** – The supporting structure comprises 3 x 316 stainless steel legs able to withstand severe hurricane force storms and harsh marine environments. The fog signal is completely assembled, wired and tested and ready for field connection. When a subsidiary light is required, its bracket can be mounted to one leg of the structure.
- **POWER** – The advantage of the integral coder means the AB-68Ex can operate in autonomous stand alone mode from a central or dedication local battery. Tideland can supply fully certified Zone 1 (ATEX CAT 2) power supply systems.



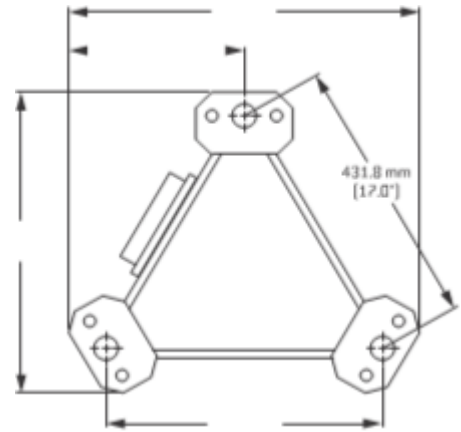
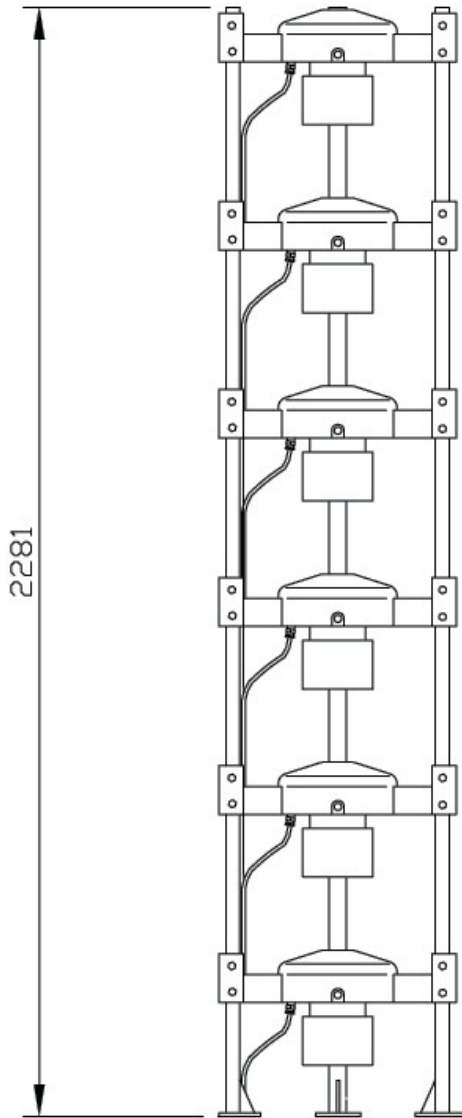
AB-68 Ex

Audiobeam® 2NM Fog Signal

Technical Details	
Range	2NM usual range as defined and recommended by IALA. USCG approved per CFR 67.10 as a 2NM fog signal
Input	
Voltage	12 or 24VDC
Current @ 12VDC	180W when sounding
Output	
Frequency	800Hz
SPL	Greater than 133.4dB @ 1 metre
Coding	Usually Morse U or one of any 256 pre-programmed
Environmental	Marine atmosphere, 100% Relative Humidity
Hazardous Area Certification	
ITS 09ATEX16405X, IECExITS 14.0019X CESI01ATEX027, IECEx TSA 06.0011	Emitter Unit: Ex II 2 G Ex d IIB T4 Gb -40° C ≤ Ta ≤ 60° C ECU-800: Ex II 2 G Ex d IIB T6/T5/T4 Gb
Weights	220kg (485lbs)

AB-68 Ex

Audiobeam® 2NM Fog Signal



AB-68 Ex

Audiobeam® 2NM Fog Signal

