

AB-26

Audiobeam Fog Signal

AB-26 Audiobeam® is an electrically powered fog signal that automatically broadcasts a 360° beam of sound in the horizontal plane to a preselected code. It is UL listed as suitable for use in Class I, Division 2, Group D hazardous locations and also certified for ATEX CAT3 EEx nL IIA locations. The AB-26 is United States Coast Guard approved. The IALA usual range for this fog signal is 1/2NM.



CHARACTERISTICS

- **ELECTRONIC CONTROL UNIT** – Contained within the hinged top section are the electronic controls utilizing a patented solid-state power amplifier, a time delay circuit with three-position switch and a unijunction control-led timer. Timer uses Tideland's OMNIBUS® circuitry technology, which allows two or more fog signal units to be synchronized to sound sequentially or in unison.
- **ELECTRODYNAMIC DRIVER UNITS** – A heavy-duty driver powers a dual resonant emitter. Enclosed in the AB-26 weatherproof housing, it is engineered for efficiency and long on-station life, operating at less than 25% of rated capacity.
- **STRUCTURE** – AB-26 structure is 5052-H32 aluminum with primer wash and Polane epoxy coating. The fog signal is completely assembled and wired, ready for field connection with 3/4-inch NPT cable entry and six 3/4-inch NPT UL-Listed NavGrip®
- **POWER** – AB-26 is designed for unattended operation from a source of 12 volts DC primary or secondary energy cells. It can be operated from Tideland's SolaViva® solar power generator, or from mains power using a Tideland Signal power supply or charger and secondary energy cell.

ADDITIONAL FEATURES

- All recognized signal codes, available.
- All morse code letters.
- Precision frequency standard, accurate to 0.2%.
- Tideland patented solid-state dissipation less power regulator.
- Corrosion protection, provided by conformal coating.
- Off-time current drain 0.04 ampere maximum.
- AB-26 Audiobeam® comes with a one-year warranty against defective material and workmanship.



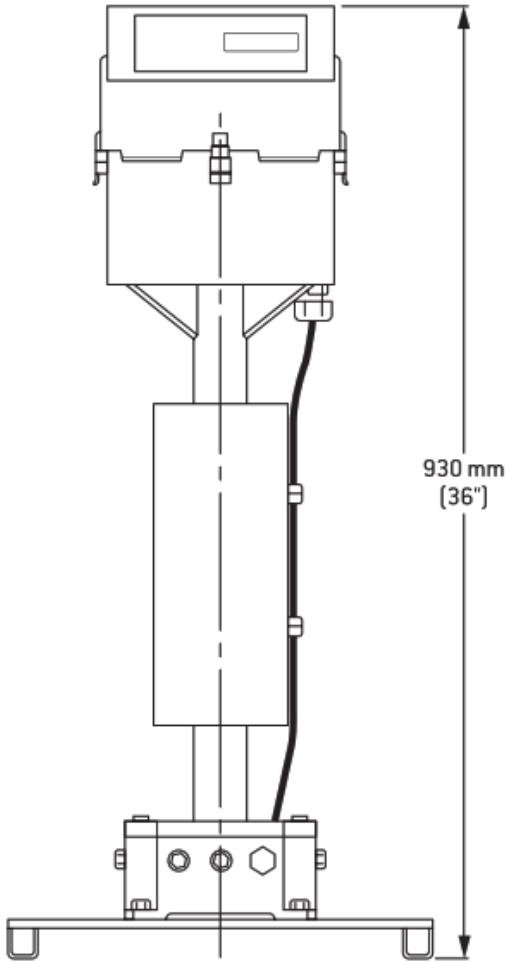
AB-26

Audiobeam Fog Signal

Technical Details	
Range	1/2NM (Per 33 CFR 67.10 abd usual range recommended by IALA)
Input	
Voltage	10 – 14VDC
Current @ 12VDC	2A maximum
Output	
Frequency	660Hz
SPL	120.5dB @ 1 metre
Coding	2 sec ON, 18 sec OFF, standard setting or Morse code letter
Environmental	Marine Atmosphere; Temperature Range NEC Class 1 Division 2: -200 C to +400 C or -200 C to +550 C, the deciding factor is the Required "I" rating, T6 max temperature +550 C, T5 max temperature +400 C. ATEX: Ambient -200 C to +400 C
Weights and Measurements	
Standalone	168.6kg (375lb)
Shipping	208.6kg (460lb)

AB-26

Audiobeam Fog Signal



AB-26 Fog Signal, UL Listed
Total Weight: 30.8 kg (68 lb)

