



MLED Series

External Powered Marine Lanterns

Tideland Signal (Tideland) has merged its patented and proven MaxLumina® lens technology with 21st century LED technology to provide low maintenance, low power consumption and long range, MLED-140, MLED-155 and MLED-300 navigational lanterns. The MLED-140 is ideal for use wherever a wide beam is required, such as in compensating for buoy roll. Visibility is improved in locations such as high bridges, where there are extreme differences in angle of observation at various ranges. The MLED-140 and MLED-155 are used to mark buoys, offshore structures, channels, bridges, barges and docks. Tideland Signal's hinged Fresnel lens incorporates 38 optical elements, maximizing light transmission in the horizontal plane. The MLED-300 and MLED-155 are excellent for use on fixed offshore structures, achieving maximum visual range. MLED series provides trouble-free service in rigorous marine environments.



CHARACTERISTICS

- Supplied with Tideland MaxiHALO 60 II or MaxiHALO 60 II HI Flashers
- User selectable power settings for multiple visual range performance
- 256 user selectable flash characters
- Temperature compensated LED drive circuits ensure uniform brightness with ambient temperature change
- Full monitor and control capability
- SignalView™ program to set user options
- Available in all IALA approved colors
- A constant current power source provides maximum lifetime of LEDs
- Seasonal shutdown capability
- Hard wired synchronization
- Optional GPS synchronization



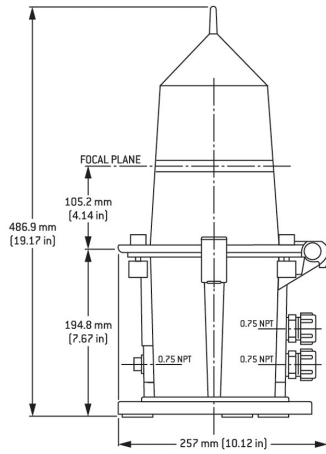
MLED Series

External Powered Marine Lanterns

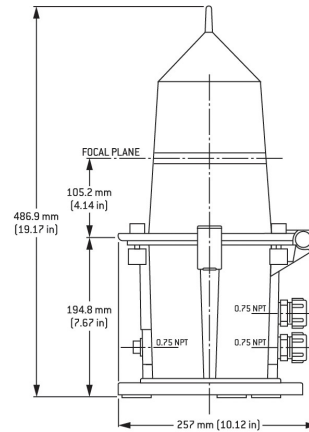
Attribute	Details
Available colors	Red, green, yellow, white
Visibility	360° horizon (omnidirectional)
Operating Temperature	-40° C to +60°C
Voltage	9 to 36V DC
Power	Variable up to 7W (LP version) or 19W (EFF version)
Typical Vertical Divergence MLED-140 MLED-155 MLED-300	> 8° > 5° > 2°
Monitor and Control	Capable
Flash Codes	Up to 256 codes, field selectable
Synchronization	Optional GPS or hard wired
Weight MLED-140 MLED-155 MLED-300	3.2kg (7lb) 3.2kg (7lb) 9.1kg (20lb)
NOTE: Specifications are subject to change.	

MLED Series

External Powered Marine Lanterns

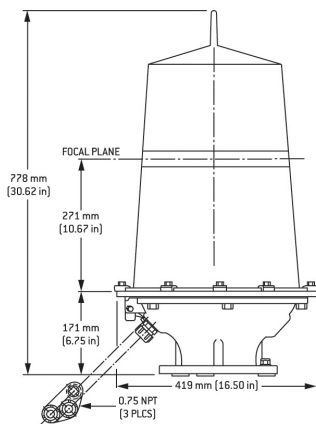


MLED-140



MLED-155

USCG approved for offshore structures



MLED-300

USCG approved for offshore structures

