

ML-300

MaxLumina® Marine Signal Lantern

The lightweight and durable ML-300 is suitable for a wide range of marine applications such as lighthouses, landfall beacons, offshore platforms, drilling barges and channel markers. ML-300 produces luminous intensity levels with lower current consumption than other manufacturers' lanterns equipped with molded lenses. The ML-300 utilizes Tideland's 300mm Fresnel lens, introduced in 1967 as the world's largest single piece acrylic optic for marine lanterns. Today, the ML-300 is the most efficient injection molded 300mm lens available producing greater required effective intensities from smaller wattage lamps than any other lens of comparable size. Available in GMU (General Marine Use) and Class 1, Division 2 (UL listed and Labelled) versions.



CHARACTERISTICS

- Supplied with Tideland OMNIBUS II 6 Place Flasher Lampchanger
- Supports all industry standard flasher/lamp changers
- Lenses available in all approved IALA colors
- Tideland Signal's patented leveling and focusing system
- Hinged Lens for easy access.
- Easy twist-and-lift tabs allow lens to be removed quickly for maintenance
- Cable glands and connectors factory supplied
- For applications requiring a sectored light, one or more colored acrylic inserts (including opaque) can be added
- Excellent for all marine environments
- Full monitor and control access with Tideland Signal flasher
- Hard Wire Synchronized or Optional GPS Synchronization with Tideland Flashers
- 256 Preprogrammed Flash codes with Tideland Flashers
- Optional Version With Smooth Lexan Lens Shield

ML-300

MaxLumina® Marine Signal Lantern

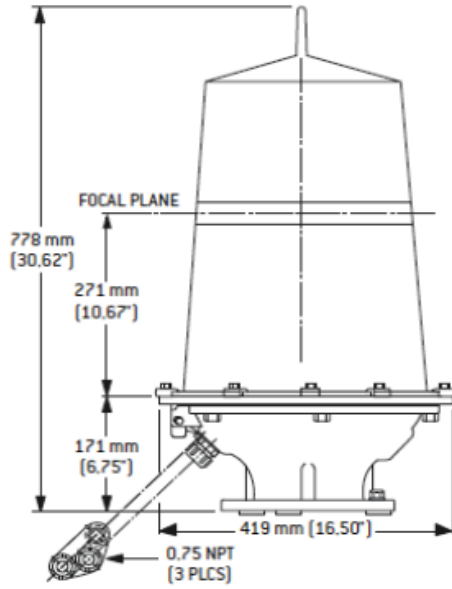
Electrical Rating/ Lamp Type	Incandescent Time (sec)	Fixed Intensity (cd)	EFFECTIVE INTENSITY IN CANDELAS – FLASHING WHITE								
			CCT 0.1 sec	CCT 0.2 sec	CCT 0.3 sec	CCT 0.4 sec	CCT 0.5 sec	CCT 0.6 sec	CCT 1.0 sec	CCT 1.2 sec	CCT 2.0 sec
12V, 0.25A / C-8. S-8	0.050	100	28	47	58	65	71	74	83	85	91
12V, 0.55A / C-8. S-8	0.088	260	67	119	149	168	182	192	215	222	236
12V, 0.77A / C-8. S-8	0.110	400	-	175	224	256	278	294	331	341	363
12V, 1.15A / C-8. S-8	0.150	550	-	220	294	342	375	399	453	467	498
12V, 1.35A / C-8. S-8	0.170	642	-	248	336	395	435	464	527	545	581
12V, 2.03A / C-8. S-8	0.230	1050	-	-	544	642	709	756	862	890	951
12V, 3.05A / C-8. S-11	0.310	1500	-	-	-	880	976	1054	1220	1264	1355
12V, 1.90A / CC-8. S-11	0.220	1920	-	-	974	1207	1318	1400	1583	1633	1740
12V, 3.00A / CC-8. S-11	0.305	2660	-	-	-	1534	1727	1866	2162	2241	2403
12V, 20W / C-8. T-3.5Q	0.190	1783	-	660	927	1097	1212	1284	1462	1516	1623
12V, 35W / C-8. T-3.5Q	0.290	2986	-	-	1403	1747	1971	2120	2434	2514	2702
12V, 50W / C-8. T-3.5Q	0.380	4099	-	-	-	2254	2603	2828	3320	3443	3689
12V, 75W / C-8. T-3.5Q	0.510	5642	-	-	-	-	-	3724	4491	4683	5078
12V, 100W / C-8. T-3.5Q	0.630	7288	-	-	-	-	-	-	5721	5976	6486
12V, 20W / C-8. T-2.6Q HP	0.190	2205	-	816	1147	1356	1499	1588	1808	1874	2007
12V, 35W / C-8. T-2.6Q HP	0.290	3576	-	-	1681	2092	2360	2539	2914	3011	3236
12V, 50W / C-8. T-2.6Q HP	0.380	5356	-	-	-	2946	3401	3696	4338	4499	4820
12V, 10W / C-8. T-2.6Q HG	0.120	662	-	285	367	422	457	485	549	563	602

Lamps are prefocused single-contact base.

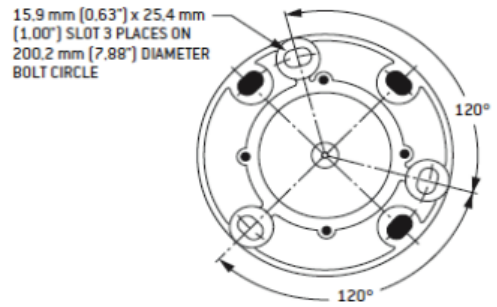


ML-300

MaxLumina® Marine Signal Lantern



Weight: 9.1 kg (20 lb)



Bottom View