



# AB-560

## AUDIOBEAM® 2NM FOG SIGNAL

---

AB-560 Audiobeam® is an electronically powered fog signal that automatically broadcasts a 360° beam of sound to a preselected code audible for 2NM. It is United States Coast Guard approved, complies with all IALA recommendations and is UL listed as suitable for use in Class I, Division 2, Group C and D hazardous locations. The AB-560 is engineered for unattended operation.



### CHARACTERISTICS

- ECU-645-A, Tideland Signal's patented solid-state power amplifier. Housed in an PU Enamel Painted Marine Grade Alloy Enclosure
- OMNIBUS® circuitry allows two or more fog signals to be synchronized.
- Off-time current is less than 30 milliamperes.
- Five Tideland Signal TDA-375 precision, heavy-duty driver units with GRP Housings
- Drivers are engineered for efficiency and long life, operating at only 10% of rated capacity.
- Structure is hot-dipped galvanized steel. (Optional 316L Stainless Steel Available)
- Patented solid-state dissipation-less power regulator automatically provides the required power to the array of driver-emitters.
- Mounting options: base down or suspended from top.
- Full monitor and control access.



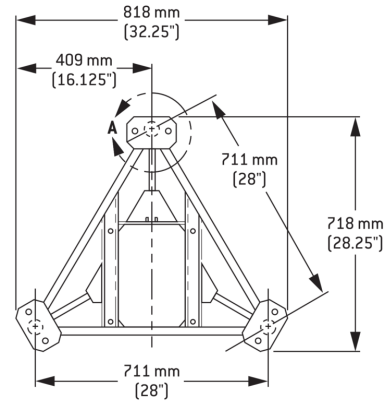
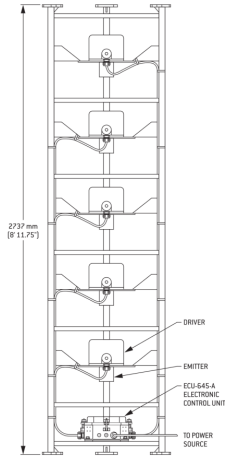
# AB-560

AUDIOBEAM® 2NM FOG SIGNAL

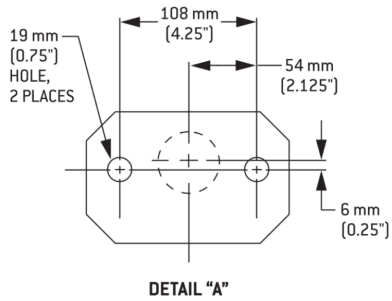
Attribute	Details
<b>Range</b>	2NM (per 33 CFR 67.10 and usual range recommended by IALA)
<b>Input</b> Voltage Current @ 12VDC	10 – 15VDC 7.85 amperes during blast; 30 milliamperes quiescent
<b>Output</b> Frequency SPL Coding	645Hz (with offset facility) 133.2dB @ 1 meter 2 sec ON, 18 sec OFF, standard setting or Morse code letter 'U', 256 field-selectable codes available
<b>Environmental IP Rating</b>	Marine Atmosphere; Temperature Range -40° C to +70° C; 100% Relative Humidity ECU Enclosure – IP66, Driver IP66
<b>Certification</b>	UL Listed and Labelled – Suitable for Class 1, Division 2, Groups C and D
<b>Weights and Measurements</b> Standalone Shipping Volume	168.6kg (375lb) 208.6kg (460lb) 1.92m <sup>3</sup> (68 cu ft)
NOTE: Specifications are subject to change.	

# AB-560

AUDIOBEAM® 2NM FOG SIGNAL



BASE PLATE DETAIL



DETAIL "A"