



Nova-65

LED MARINE LANTERN

The Choice of Professionals

The Nova-65 is a small, lightweight marine beacon designed with a highly efficient compact lens to provide a 360° beam at 5°, 10°, 20° or 30° vertical divergence. Ideal for fixed or floating aids to navigation (we recommend the 10° lens), performance buoys (the 20° and 30° lenses), or specific needs that require a much longer range while still using a minimal amount of power (the 5° lens).



User-selectable power and flash code settings for multiple visual range performance



Approved by USCG for class A, B and C offshore structures

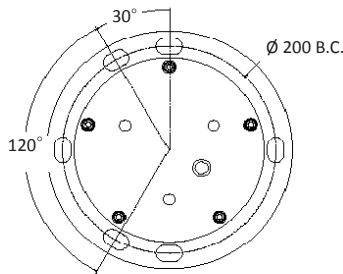
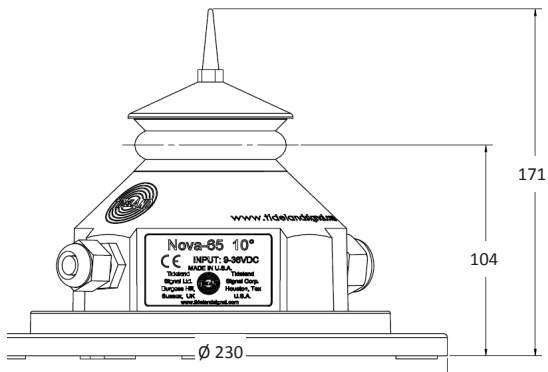


A constant current power source provides maximum lifetime of LEDs



Temperature compensated LED drive circuits ensure uniform brightness with ambient temperature change

Nova-65 LED MARINE LANTERN



Technical Details

Input Voltage - General Marine Use (GMU)	9 to 36VDC
Input Voltage - Hazardous Area	9.5 to 32VDC
Power Consumption - Nova-65	Variable up to 10W
Power Setting	Field Selectable
Colours Available	Red, green, yellow, white, blue
Operating Temperature for GMU & NEC Class 1 Division 2	-40° C to +70° C
Operating Temperature for ATEX/IECEX	-40° C to +60° C
Storage Temperature	-40° C to +70° C
Vertical Divergences - GMU & NEC Class 1 Division 2	5°, 10°, 20°, and 30° degrees, all colors (Nova-65 Standard)
Vertical Divergence - ATEX/IECEX	10 degrees, all colors
Quiescent Current - Light Only	<2mA
Quiescent Current - With GPS	<3mA
Range	>8NM (Nova-65 Standard)
Synchronisation - GMU & NEC Class 1 Division 2	GPS or hard wire options
Synchronisation - ATEX/IECEX	Hard wire only
Monitor and Control	Capable
Visibility	360° horizon (omnidirectional)
IP Rating - GMU & NEC Class 1 Division 2	IP 66 / IP 68
IP Rating - ATEX/IECEX	IP 66

Physical Details

Base Mounting	230mm (9.1in) maximum diameter
Height	171mm (6.7in)
Weight	Polycarbonate 0.77kg (1.7lbs) Aluminum 1.97kg (4.3lbs)
Material	GMU version is available in polycarbonate or aluminum NEC Class I Division 2 only available in aluminum ATEX/IECEX only available in aluminum
Options	GPS Synchronization 5°, 10°, 20° or 30° vertical divergence lens

Specifications subject to change.

Tideland Signal, a Xylem brand
7100 Business Park Drive, Suite B
Houston, TX 77041

+1.713.681.6101 (US)
us-sales@tidelandsignal.com
TidelandSignal.com



TidelandSignal.com/Nova-65