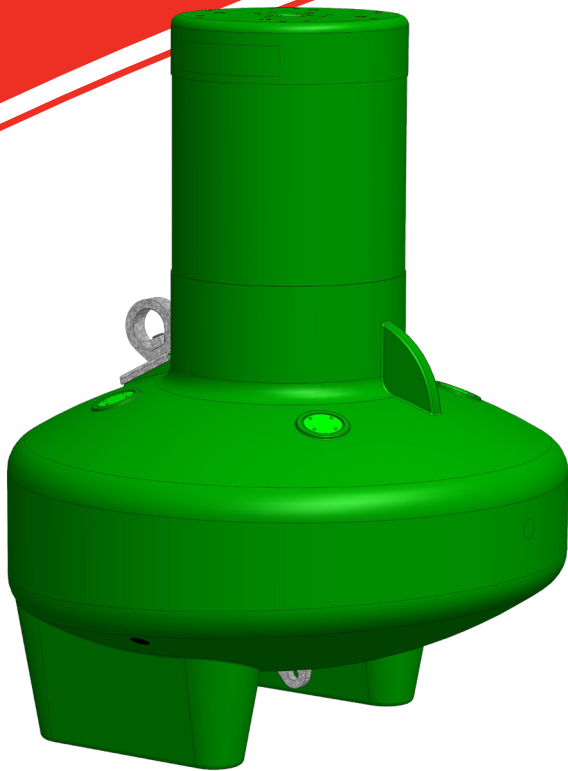




SB-1500

SENTINEL® MULTI-PURPOSE BUOY



Ideal for currents up to 6 knots

The SB-1500 is a cost-effective multi-purpose buoy for use in all marine environments. Unique design of this buoy allows it to be deployed in a wide variety of applications that include shallow water, channel edges, rivers up to 6 knots current, deep harbours and fast current tidal zones. Through a unique mold design and a controlled process, an increased thickness is formed at major stress points. This rugged material is abrasion resistant and repels marine growth, eliminating costly sandblasting and painting.

A few benefits of the SB-1500 include:



Complete assembly is removable for inspection. SB-1500 buoy is EPS foam filled to prevent significant water ingress in event of a puncture.



Unique keel and hull system with 160kg (350lb) of internal ballast keeps the buoy stable, upright and tracking.

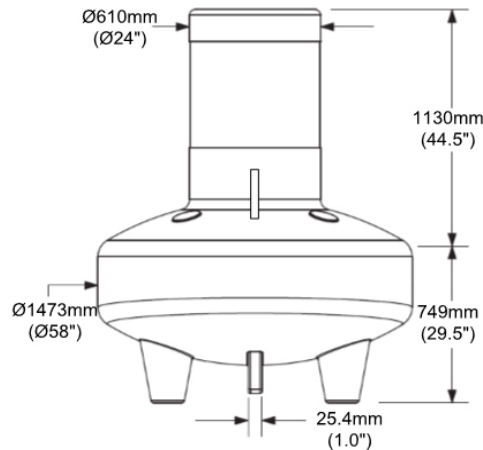
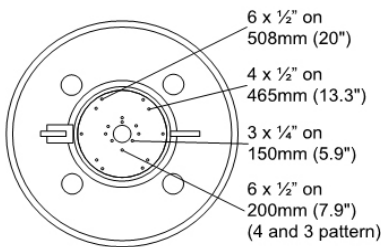
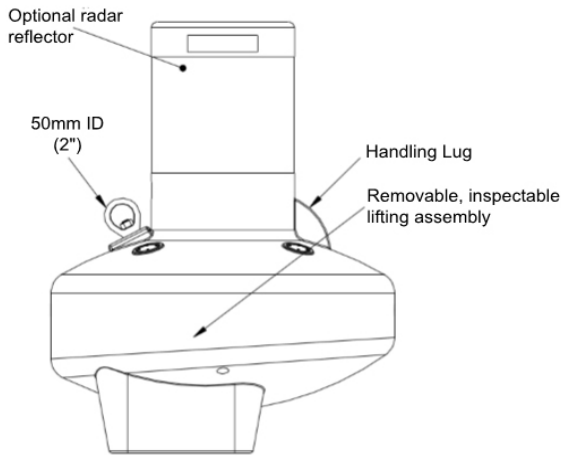


Available in all recommended IALA colors, including cardinal and bifurcation markings



a xylem brand

SB-1500 SENTINEL® MULTI-PURPOSE BUOY



Technical Details

Construction	Rotationally moulded in medium density UV-stabilised virgin polyethylene, 9.5mm thick
Foam Filling	16kg/m ³ expanded polystyrene foam
Air Weight	261kg (575lb)
Diameter	1473mm (58in)
Focal Plane Height	1760mm (56in)
Draft	419mm (16.5in)
Freeboard	318mm (12.5in)
Submergence	17kg/cm (95lb/in)
Radar Reflector	10m ² (X-band)
Surface Color	As Specified
Maximum Mooring Load	540kg (1190lb)
Maximum Current	6 knots




Optional Equipment

- Internal radar reflector
- Repair equipment
- 4" Lifting eye

Optional LED Marine Lanterns

SB-1500 can be equipped with a range of Tideland self-contained lanterns, which are maintenance free and utilize LED technology, high performance solar modules and high-grade batteries

Tideland Signal, a Xylem brand
7100 Business Park Drive, Suite B
Houston, TX 77041

-  +1.713.681.6101 (US)
-  us-sales@tidelandsignal.com
-  TidelandSignal.com



TidelandSignal.com/SB-1500