

MLED-180HI Ex

EXTERNAL POWERED MARINE LANTERN

MLED-180HI Ex brings the benefits of LED technology, low power, high reliability and low maintenance, to the Zone 1 environment. The flasher and optical source assembly designated MaxiHALO-180HI is designed after the proven MaxiHALO-150.

The MaxiHALO-180HI Ex is installed in a rugged Exd well glass housing used in the rigours of offshore atmospheres. When used in a bifurcated arrangement a range of in excess of 15NM is achieved. Onboard software constantly monitors operation of the MLED-180HI Ex and initiates an alarm signal if critical operation parameters are exceeded.

Characteristics

- User selectable power settings
- 256 user selectable flash characters
- Temperature compensated LED drive circuits ensure uniform brightness with changes in ambient temperature
- Full monitor and control capability
- Fail output terminal for go/no go monitoring
- Constant current power source maximises LED life



**TIDELAND**
a xylem brand

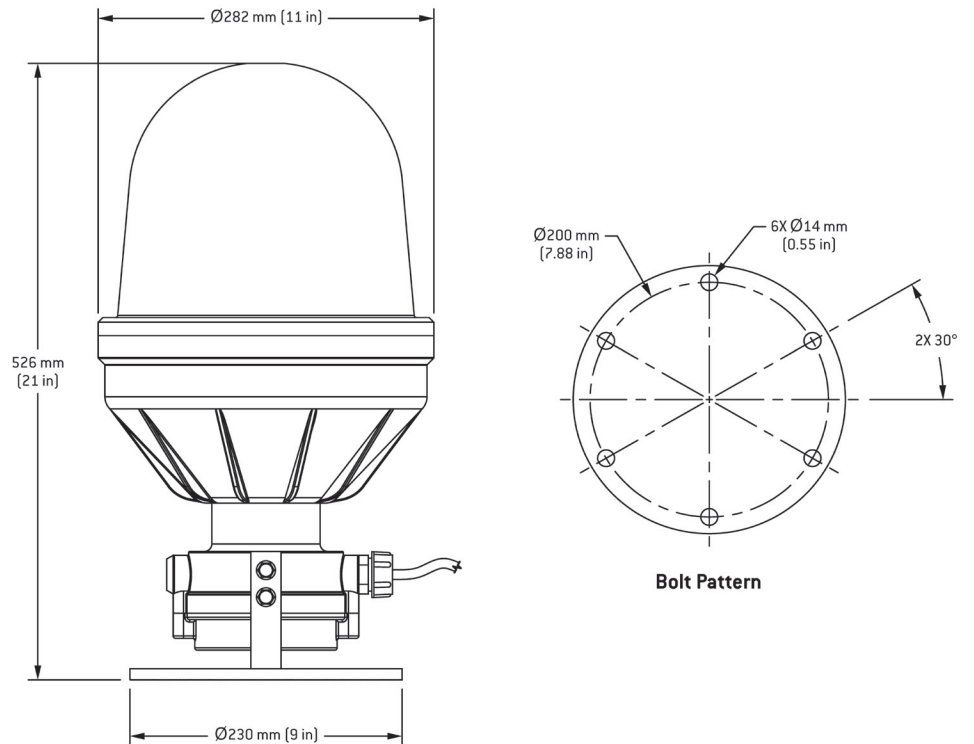
MLED-180HI Ex

Technical Details

Input Voltage	24VDC
Average Power Consumption	<40W
Quiescent Current	< 7mA
Visibility	360° horizon (omnidirectional)
Monitor and Control	Capable
Flash Codes	256 codes
Synchronisation	Hardwire
Sunswitch Threshold	Variable
Weight	15kg (33lb)
Operating Temperature	-40° C to +60° C
Relative Humidity	100% condensing
Atmosphere	Rated for operation in salt air
Wind	Designed to withstand speeds in excess of 320 kmph (200 mph)
IP Rating	IP66
Base	Cast Aluminium
Outer Lens	Tempered Glass

NOTE: Specifications are subject to change.

Meets the Stricts Requirements of the North Sea Platforms



Tideland Signal Corporation
(USA)
us-sales@tidelandsignal.com

Tideland Signal Ltd
(Canada)
canada-sales@tidelandsignal.com

Tideland Signal Ltd
(Burgess Hill, UK)
emea-sales@tidelandsignal.com

Tideland Signal
(The Netherlands)
emea-sales@tidelandsignal.com

Tideland Signal Ltd
(Dubai, UAE)
emea-sales@tidelandsignal.com

Tideland Signal Pte Ltd
(Singapore)
asia-sales@tidelandsignal.com

Tideland Signal Pte Ltd
(Tianjin, China)
asia-sales@tidelandsignal.com

www.tidelandsignal.com