

EFFECTIVE INTENSITY TABLES (Schmidt-Clausen Method)
ML-300 MaxLumina Lantern with Clear Lens and Selected Lamps

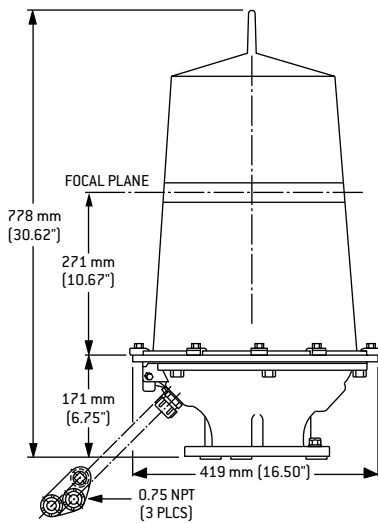
Electrical Rating/ Lamp Type	Incandescent Time (sec)	Fixed Intensity (cd)	EFFECTIVE INTENSITY IN CANDELAS – FLASHING WHITE								
			CCT	CCT	CCT	CCT	CCT	CCT	CCT	CCT	CCT
			0.1 sec	0.2 sec	0.3 sec	0.4 sec	0.5 sec	0.6 sec	1.0 sec	1.2 sec	2.0 sec
6.2V, 0.125A / C-8, S-8	0.030	21	6	10	12	14	15	16	17	18	19
6.2V, 0.25A / C-8, S-8	0.050	51	14	24	30	33	36	38	42	44	46
6.2V, 0.46A / C-8, S-8	0.076	135	34	62	77	86	95	100	112	115	123
6.2V, 0.70A / C-8, S-8	0.100	180	—	78	101	115	125	132	149	153	163
6.2V, 0.92A / C-8, S-8	0.130	245	—	104	135	155	169	179	202	209	222
6.2V, 1.40A / C-8, S-8	0.170	440	—	176	236	274	301	320	362	374	399
12V, 0.25A / C-8, S-8	0.050	100	28	47	58	65	71	74	83	85	91
12V, 0.55A / C-8, S-8	0.088	260	67	119	149	168	182	192	215	222	236
12V, 0.77A / C-8, S-8	0.110	400	—	175	224	256	278	294	331	341	363
12V, 1.15A / C-8, S-8	0.150	550	—	220	294	342	375	399	453	467	498
12V, 1.35A / C-8, S-8	0.170	642	—	248	336	395	435	464	527	545	581
12V, 2.03A / C-8, S-8	0.230	1050	—	—	544	642	709	756	862	890	951
12V, 3.05A / C-8, S-11	0.310	1500	—	—	—	880	976	1054	1220	1264	1355
12V, 1.90A / CC-8, S-11	0.220	1920	—	—	974	1207	1318	1400	1583	1633	1740
12V, 3.00A / CC-8, S-11	0.305	2660	—	—	—	1534	1727	1866	2162	2241	2403
12V, 20W / C-8, T-3.50	0.190	1783	—	660	927	1097	1212	1284	1462	1516	1623
12V, 35W / C-8, T-3.50	0.290	2986	—	—	1403	1747	1971	2120	2434	2514	2702
12V, 50W / C-8, T-3.50	0.380	4099	—	—	—	2254	2603	2828	3320	3443	3689
12V, 75W / C-8, T-3.50	0.510	5642	—	—	—	—	—	3724	4491	4683	5078
12V, 100W / C-8, T-3.50	0.630	7288	—	—	—	—	—	—	5721	5976	6486
12V, 20W / C-8, T-2.60 HP	0.190	2205	—	816	1147	1356	1499	1588	1808	1874	2007
12V, 35W / C-8, T-2.60 HP	0.290	3576	—	—	1681	2092	2360	2539	2914	3011	3236
12V, 50W / C-8, T-2.60 HP	0.380	5356	—	—	—	2946	3401	3696	4338	4499	4820
12V, 10W / C-8, T-2.60 HG	0.120	662	—	285	367	422	457	485	549	563	602
*120V, 250W	0.235	5800	—	—	2971	3506	3885	4156	4751	4911	5249

*Double-contact bayonet base. All other lamps are prefocused single-contact base.

ML-300 MaxLumina Lantern with Ex Twin-Filament Lamp
[10-Mile Main Light 40W/40W, 10.3V Lamp]

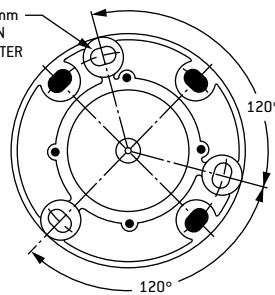
Incandescent Time (sec)	Fixed Intensity (cd)	EFFECTIVE INTENSITY IN CANDELAS – FLASHING WHITE								
		CCT 0.4 sec	CCT 0.5 sec	CCT 0.6 sec	CCT 0.7 sec	CCT 0.8 sec	CCT 0.9 sec	CCT 1.0 sec	CCT 1.2 sec	CCT 2.0 sec
0.392	2123	1104	1359	1465	1554	1618	1677	1720	1783	1921

NOTE: For red or green lens, multiply intensity by 0.30; for yellow lens, multiply intensity by 0.65. For lanterns in biform configuration, multiply listed values by two. Lamp limitations apply to UL-listed and EEx-certified models.



Weight: 9.1 kg (20 lb)

15.9 mm (0.63") x 25.4 mm (1.00") SLOT 3 PLACES ON 200.2 mm (7.88") DIAMETER BOLT CIRCLE



Bottom View



ML-300 is available in four versions: General Marine Use (GMU); UL listed for Class I, Division 2, Group D Hazardous Locations; Certified for Zone 1; Ex II 3G.

TIDELAND SIGNAL CORPORATION
CORPORATE HEADQUARTERS

P.O. Box 52430
 Houston, Texas 77052-2430, USA
 4310 Directors Row
 Houston, Texas 77092 USA
 PH: + 1 713-681-6101
 FAX: + 1 713-681-6233
 E-MAIL: hq@tidelandsignal.com

P.O. Box 52370, O.C.S.
 Lafayette, Louisiana 70505-2370, USA
 PH: + 1 337-269-9113
 FAX: + 1 337-269-9052
 E-MAIL: lafayettesales@tidelandsignal.com

TIDELAND SIGNAL CANADA LTD.
 #2170-21331 Gordon Way
 Richmond, B.C., Canada V6W 1J9
 PH: + 1 604-247-0988
 FAX: + 1 604-247-0987
 E-MAIL: sales@tidelandsignalcanada.com

TIDELAND SIGNAL PTE. LTD.
 Crystal Time Building
 16 Tannery Lane #04-00
 Singapore 347778
 PH: + 65 6333-0078
 FAX: + 65 6333-0079
 E-MAIL: sales@tidelandsignal.com.sg

TIDELAND SIGNAL LIMITED
 Unit B, Kendal House
 Victoria Way
 Burgess Hill, Sussex, RH15 9NF, UK
 PH: + 44 (0) 1444 872240
 FAX: + 44 (0) 1444 872241
 E-MAIL: sales@tidelandsignal.ltd.uk

TIDELAND SIGNAL LTD. (UAE)
 FZS1 BB03, JAFZA South
 Jebel Ali Free Zone, Dubai, U.A.E.
 PH: + 971 4-886-0180
 FAX: + 971 4-886-0181
 E-MAIL: sales@tidelandsignal.ltd.uk

WEB SITE: www.tidelandsignal.com



Tideland Signal Corporation maintains ISO 9001:2000 accreditation. It is company policy to provide products and services that meet the highest standards of quality in the industry.

Membership Organisations



PRINTED IN U.S.A.

© Tideland Signal Corporation 2006 – 5MB2R5