

**EFFECTIVE INTENSITY TABLES (Schmidt-Clausen Method)**  
**ML-155 MaxLumina Lantern with Clear Lens and Selected Lamps**

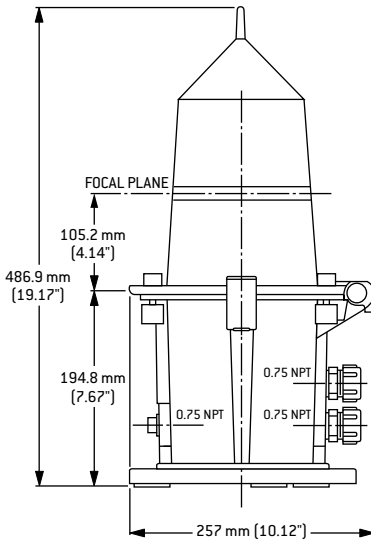
Electrical Rating/ Lamp Type	Incandescent Time (sec)	Fixed Intensity (cd)	EFFECTIVE INTENSITY IN CANDELAS – FLASHING WHITE									
			CCT	CCT	CCT	CCT	CCT	CCT	CCT	CCT	CCT	CCT
			0.1 Sec	0.2 Sec	0.3 Sec	0.4 Sec	0.5 Sec	0.6 Sec	1.0 Sec	1.2 Sec	2.0 Sec	
6.2V, 0.125A/C-8, S-8	0.030	13	4	6	8	9	9	10	11	11	12	
6.2V, 0.25A/C-8, S-8	0.050	32	9	15	19	21	23	24	27	27	29	
6.2V, 0.46A/C-8, S-8	0.076	89	22	41	51	58	62	66	74	76	81	
6.2V, 0.70A/C-8, S-8	0.100	116	—	51	65	74	81	85	96	99	105	
6.2V, 0.92A/C-8, S-8	0.130	131	—	55	72	83	90	96	108	112	119	
6.2V, 1.40A/C-8, S-8	0.170	231	—	93	124	144	158	168	190	196	209	
12V, 0.25A/C-8, S-8	0.050	50	14	24	29	33	35	37	42	43	45	
12V, 0.55A/C-8, S-8	0.088	130	33	59	74	84	91	96	108	111	118	
12V, 0.77A/C-8, S-8	0.110	182	—	79	102	116	126	134	150	155	165	
12V, 1.15A/C-8, S-8	0.150	315	—	126	168	196	215	229	259	268	285	
12V, 1.35A/C-8, S-8	0.170	391	—	151	205	241	265	282	321	332	354	
12V, 2.03A/C-8, S-8	0.230	491	—	—	255	300	331	354	403	416	445	
12V, 10W/C-8, T-2.60	0.120	373	—	159	207	238	257	274	308	317	339	
12V, 20W/C-8, T-3.50	0.190	738	—	270	384	455	498	535	605	627	668	
12V, 35W/C-8, T-3.50	0.290	1416	—	—	666	826	927	1000	1156	1192	1277	
12V, 50W/C-8, T-3.50	0.380	2242	—	—	—	1233	1420	1550	1809	1883	2018	
12V, 75W/C-8, T-3.50	0.510	2668	—	—	—	—	—	1769	2134	2223	2401	
12V, 20W/C-8, T-2.60 HP	0.190	988	—	362	514	606	667	716	815	840	894	
12V, 20W/C-8, T-2.60 HP	0.290	1748	—	—	830	1020	1145	1232	1422	1477	1575	
12V, 50W/C-8, T-2.60 HP	0.380	2523	—	—	—	1388	1598	1741	2031	2107	2271	
125V, 100W/CC-8, T-3.50	0.113	1258	—	549	705	804	874	925	1040	1072	1141	

**ML-155 MaxLumina Lantern with Twin-Filament Lamps**

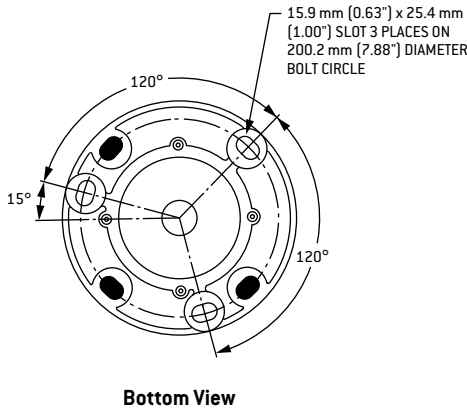
Electrical Rating/ Lamp Type	Incandescent Time (sec)	Fixed Intensity (cd)	EFFECTIVE INTENSITY IN CANDELAS – FLASHING WHITE									
			CCT	CCT	CCT	CCT	CCT	CCT	CCT	CCT	CCT	CCT
			0.1 Sec	0.2 Sec	0.3 Sec	0.4 Sec	0.5 Sec	0.6 Sec	1.0 Sec	1.2 Sec	2.0 Sec	
2W/2W, 10.3V	0.040	35	10	17	20	23	25	26	29	30	32	
5W/5W, 10.3V	0.078	137	36	62	78	88	95	101	113	116	125	
7.3W/7.3W, 10.3V*	0.104	170	—	74	95	108	118	125	140	145	155	
10W/10W, 10.3V	0.130	232	—	97	128	147	160	169	191	197	211	
20W/20W, 10.3V	0.217	399	—	—	203	243	268	287	327	338	362	
40W/40W, 10.3V	0.360	764	—	—	—	426	489	530	619	642	691	

\*For use in EEx-certified lanterns.

NOTE: For red or green lens, multiply intensity by 0.30; for yellow lens, multiply intensity by 0.74. For lanterns in biform configuration, multiply listed values by two. Lamp limitations apply to UL-listed lanterns.



**WEIGHT: 3.2 kg (7 lb)**



**Bottom View**



ML-155 is available in four versions:  
 General Marine Use (GMU); UL listed for  
 Class I, Division 2, Group D Hazardous  
 Locations; Certified for Zone 1; Ex II 3G.

**TIDELAND SIGNAL CORPORATION**  
**CORPORATE HEADQUARTERS**

P.O. Box 52430  
 Houston, Texas 77052-2430, USA  
 4310 Directors Row  
 Houston, Texas 77092 USA  
 PH: + 1 713-681-6101  
 FAX: + 1 713-681-6233  
 E-MAIL: [hq@tidelandsignal.com](mailto:hq@tidelandsignal.com)

P.O. Box 52370, O.C.S.  
 Lafayette, Louisiana 70505-2370, USA  
 PH: + 1 337-269-9113  
 FAX: + 1 337-269-9052  
 E-MAIL: [lafayettesales@tidelandsignal.com](mailto:lafayettesales@tidelandsignal.com)

TIDELAND SIGNAL CANADA LTD.  
 #2170-21331 Gordon Way  
 Richmond, B.C., Canada V6W 1J9  
 PH: + 1 604-247-0988  
 FAX: + 1 604-247-0987  
 E-MAIL: [sales@tidelandsignalcanada.com](mailto:sales@tidelandsignalcanada.com)

TIDELAND SIGNAL PTE. LTD.  
 Crystal Time Building  
 16 Tannery Lane #04-00  
 Singapore 347778  
 PH: + 65 6333-0078  
 FAX: + 65 6333-0079  
 E-MAIL: [sales@tidelandsignal.com.sg](mailto:sales@tidelandsignal.com.sg)

TIDELAND SIGNAL LIMITED  
 Unit B, Kendal House  
 Victoria Way  
 Burgess Hill, Sussex, RH15 9NF, UK  
 PH: + 44 (0) 1444 872240  
 FAX: + 44 (0) 1444 872241  
 E-MAIL: [sales@tidelandsignal.ltd.uk](mailto:sales@tidelandsignal.ltd.uk)

TIDELAND SIGNAL LTD. (UAE)  
 FZS1 BB03, JAFZA South  
 Jebel Ali Free Zone, Dubai, U.A.E.  
 PH: + 971 4-886-0180  
 FAX: + 971 4-886-0181  
 E-MAIL: [sales@tidelandsignal.ltd.uk](mailto:sales@tidelandsignal.ltd.uk)

**WEB SITE: [www.tidelandsignal.com](http://www.tidelandsignal.com)**



Tideland Signal Corporation maintains ISO 9001:2000 accreditation. It is company policy to provide products and services that meet the highest standards of quality in the industry.

Membership Organisations



PRINTED IN U.S.A.

© Tideland Signal Corporation 2006 – 5MB3R7