

ML-140 MaxLumina Buoy Lantern for Wide Angle Light Beam
EFFECTIVE INTENSITY TABLE Standard C-8 Filament Lamps (Schmidt-Clausen Method)

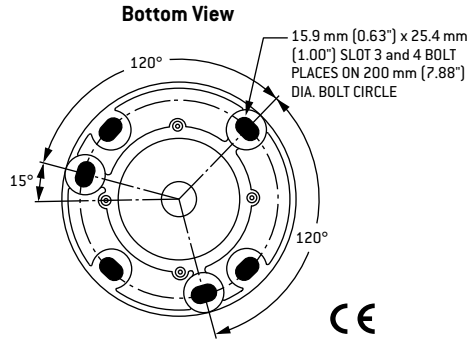
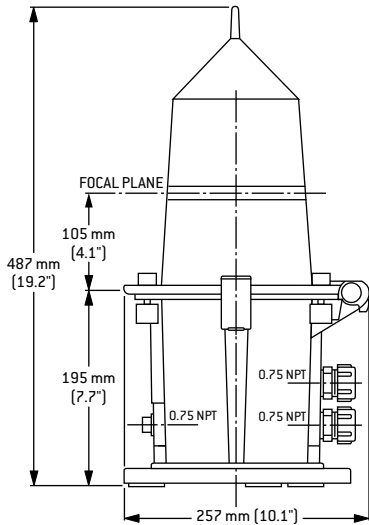
Electrical Rating	Incandescent Time (sec)	Fixed Intensity (cd)	EFFECTIVE INTENSITY IN CANDELAS – FLASHING WHITE									
			CCT 0.1 sec	CCT 0.2 sec	CCT 0.3 sec	CCT 0.4 sec	CCT 0.5 sec	CCT 0.6 sec	CCT 1.0 sec	CCT 1.2 sec	CCT 2.0 sec	
6.2V, 0.25A C-8, S-8	0.050	23	6	11	13	15	16	17	19	20	21	
6.2V, 0.46A C-8, S-8	0.076	67	17	31	38	43	47	50	56	57	61	
6.2V, 0.70A C-8, S-8	0.100	105	—	46	59	67	73	77	87	89	95	
6.2V, 0.92A C-8, S-8	0.130	126	—	53	70	80	87	92	104	107	114	
6.2V, 1.40A C-8, S-8	0.170	173	—	69	93	108	118	126	142	147	157	
12V, 0.55A C-8, S-8	0.088	79	20	35	44	51	55	58	65	67	72	
12V, 0.77A C-8, S-8	0.110	137	—	60	77	88	95	101	113	117	124	
12V, 1.15A C-8, S-8	0.150	236	—	94	126	147	161	171	194	200	214	
12V, 2.03A C-8, S-8	0.230	368	—	—	191	225	248	254	302	312	333	

ML-140 MaxLumina Buoy Lantern
FIXED INTENSITY/VERTICAL DIVERGENCE TABLE

Electrical Rating	Lamp Type	Incandescent Time (sec)	FIXED INTENSITY (CANDELAS)		VERTICAL DIVERGENCE	
			Standard Filament (C-8)	Extended Filament (CX-8)	Standard Filament (C-8)	Extended Filament (CX-8)
6.2V, 0.25A	C-8, S-8	0.050	23	16	6.6°	12.0°
6.2V, 0.46A	C-8, S-8	0.076	67	38	6.3°	12.0°
6.2V, 0.70A	C-8, S-8	0.100	105	61	7.6°	12.5°
6.2V, 0.92A	C-8, S-8	0.130	126	50	8.0°	13.1°
6.2V, 1.40A	C-8, S-8	0.170	173	72	7.7°	13.5°
12V, 0.55A	C-8, S-8	0.088	98	57	9.9°	12.5°
12V, 0.77A	C-8, S-8	0.110	137	77	10.2°	13.5°
12V, 1.15A	C-8, S-8	0.150	236	115	10.7°	13.5°
12V, 2.03A	C-8, S-8	0.230	368	202	10.3°	13.5°

ML-140 MaxLumina Buoy Lantern with GMU Twin-Filament Lamps
EFFECTIVE INTENSITY TABLE (Schmidt-Clausen Method)

Electrical Rating	Incandescent Time (sec)	Fixed Intensity (cd)	EFFECTIVE INTENSITY IN CANDELAS – FLASHING WHITE									
			CCT 0.1 sec	CCT 0.2 sec	CCT 0.3 sec	CCT 0.4 sec	CCT 0.5 sec	CCT 0.6 sec	CCT 1.0 sec	CCT 1.2 sec	CCT 2.0 sec	
2W/2W, 10.3V	0.040	26	8	12	15	17	18	19	22	22	24	
5W/5W, 10.3V	0.078	98	25	44	56	63	68	72	81	83	89	
10W/10W, 10.3V	0.130	185	—	77	102	117	127	135	153	157	170	
20W/20W, 10.3V	0.217	322	—	—	165	196	216	232	264	272	291	
40W/40W, 10.3V	0.360	620	—	—	—	345	397	430	502	521	560	



ML-140 is available in three versions: General Marine Use (GMU); UL listed for Class I, Division 2, Group D Hazardous Locations; Ex II 3G.

TIDELAND SIGNAL CORPORATION
CORPORATE HEADQUARTERS

P.O. Box 52430
 Houston, Texas 77052-2430, USA
 4310 Directors Row
 Houston, Texas 77092 USA
 PH: + 1 713-681-6101
 FAX: + 1 713-681-6233
 E-MAIL: hq@tidelandsignal.com

P.O. Box 52370, O.C.S.
 Lafayette, Louisiana 70505-2370, USA
 PH: + 1 337-269-9113
 FAX: + 1 337-269-9052
 E-MAIL: lafayettesales@tidelandsignal.com

TIDELAND SIGNAL CANADA LTD.
 #2170-21331 Gordon Way
 Richmond, B.C., Canada V6W 1J9
 PH: + 1 604-247-0988
 FAX: + 1 604-247-0987
 E-MAIL: sales@tidelandsignalcanada.com

TIDELAND SIGNAL PTE. LTD.
 Crystal Time Building
 16 Tannery Lane #04-00
 Singapore 347778
 PH: + 65 6333-0078
 FAX: + 65 6333-0079
 E-MAIL: sales@tidelandsignal.com.sg

TIDELAND SIGNAL LIMITED
 Unit B, Kendal House
 Victoria Way
 Burgess Hill, Sussex, RH15 9NF, UK
 PH: + 44 (0) 1444 872240
 FAX: + 44 (0) 1444 872241
 E-MAIL: sales@tidelandsignal.ltd.uk

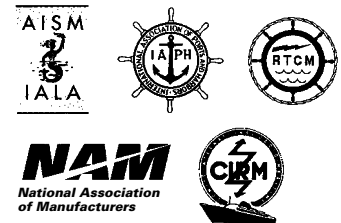
TIDELAND SIGNAL LTD. (UAE)
 FZS1 BB03, JAFZA South
 Jebel Ali Free Zone, Dubai, U.A.E.
 PH: + 971 4-886-0180
 FAX: + 971 4-886-0181
 E-MAIL: sales@tidelandsignal.ltd.uk

WEB SITE: www.tidelandsignal.com



Tideland Signal Corporation maintains ISO 9001:2000 accreditation. It is company policy to provide products and services that meet the highest standards of quality in the industry.

Membership Organisations



PRINTED IN U.S.A.

© Tideland Signal Corporation 2006 – 5MB6R5