

Nova-65

LED Marine Lantern



TIDELAND ENGINEERED

Nova-65 features unique and proprietary optics which provide a 360° beam at 10° or 20° vertical divergence. Utilizing a highly efficient compact lens, the Nova-65 is a one of a kind, small, lightweight marine beacon. The 10° divergence lens is ideal for fixed or floating aids to navigation while the 20° lens provides exceptional performance on buoys.

Computer designed optics provide ranges up to 7Nm with 10° vertical divergence and 6Nm with 20° vertical divergence while using only 10W of power.

Two options of housing are available, standard general marine use, and a ruggedized metal version. Both are designed to withstand the harsh marine environment including: ice build up in extremes of latitude and the high temperatures experienced along the equatorial plane. IP-68 makes Nova-65 the choice of professionals.

Nova-65's power efficiency provides superior performance in fixed or floating aids to navigation applications.

FEATURES

- User selectable power settings for multiple visual range performance
- User selectable flash characters
- Full monitor and control capability
- SignalView™ program to set user options
- Available in all IALA approved colours
- A constant current power source provides maximum lifetime of LEDs
- Temperature compensated LED drive circuits ensure uniform brightness with ambient temperature change

OPTIONS

GPS Synchronisation
10° vertical divergence lens
20° vertical divergence lens

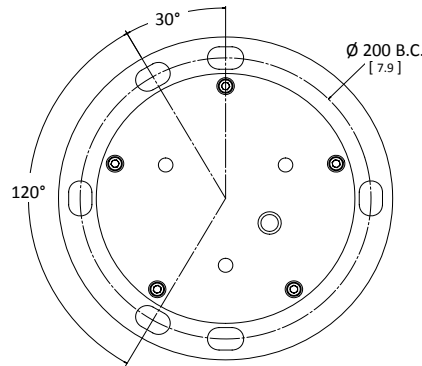
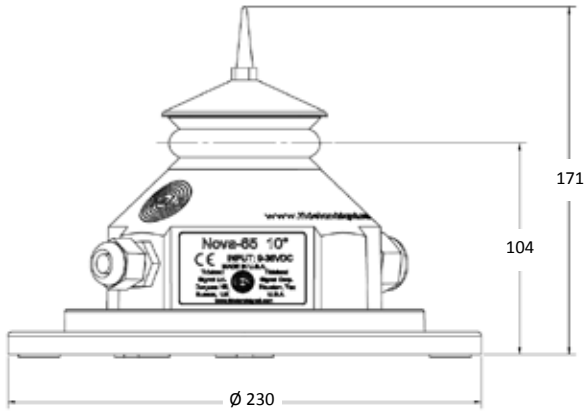


General Marine Use



Ruggedized Metal Housing

See our "extreme" test of the metal housing version at <http://www.youtube.com/watch?v=fkSBO9xagxw>



EFFECTIVE INTENSITY TABLE

	Range figures shown below are in nautical miles flashed at 0.5s @ T=0.74	
	10° Vertical Divergence	20° Vertical Divergence
WHITE	7.6	6.5
RED	6.7	5.4
GREEN	7.2	5.7
YELLOW	7.0	5.5

SPECIFICATIONS

Input Voltage	9 to 36 VDC
Power Consumption	Variable up to 10 watts
Power Setting	Field selectable
Colours Available	Red, green, yellow, white, blue
Operating Temperature	-40° to +70°C
Storage Temperature	-40° to +70°C
Vertical Divergences	10 degrees 20 degrees
Quiescent Current	<7mA
Flash Codes	Up to 256 codes, field selectable or via communication links
Synchronisation	GPS or hard wire options
Monitor and Control	Capable
Visibility	360° horizon (omnidirectional)
Sunswitch Threshold	Adjustable
Physical Measurements	
Base Mounting	230mm (9.1in) maximum diameter
Height	171mm (6.7in)
Weight	Polycarbonate 0.77 kg (1.7 lbs) Aluminum 1.97 kg (4.3lbs)
IP Rating	IP 68

NOTE: Specifications are subject to change.

Effective Intensity Tables can be found on our website at www.tidelandsignal.com

TIDELAND SIGNAL CORPORATION CORPORATE HEADQUARTERS (Houston, TX)

TEL + 1 713-681-6101
FAX + 1 713-681-6233
EMAIL hq@tidelandsignal.com

TIDELAND SIGNAL CORPORATION (Lafayette, LA)

TEL + 1 337-269-9113
FAX + 1 337-269-9052
EMAIL lafayettesales@tidelandsignal.com

TIDELAND SIGNAL CANADA LTD (Vancouver and Ottawa)

TEL + 1 604-247-0988
FAX + 1 604-247-0987
EMAIL canada-sales@tidelandsignal.com

TIDELAND SIGNAL LTD (Burgess Hill, UK)

TEL + 44 (0) 1444-872240
FAX + 44 (0) 1444-872241
EMAIL sales@tidelandsignal.ltd.uk

TIDELAND SIGNAL LTD (Dubai, UAE)

TEL + 971 (0) 4-885-5842
FAX + 971 (0) 4-885-7352
EMAIL sales@tidelandsignal.ltd.uk

TIDELAND SIGNAL PTE LTD (Singapore)

TEL + 65 6333-0078
FAX + 65 6333-0079
EMAIL sales@tidelandsignal.com.sg

TIDELAND SIGNAL PTE. LTD (Shanghai, China)

TEL + 86 (0) 21-3868-8327
FAX + 86 (0) 21-3868-8087
EMAIL sales@tidelandsignal.com.sg

WEBSITE www.tidelandsignal.com



ISO 9001:2008
Certificate
Number: 30061

ISO 9001:2008

Tideland Signal Corporation maintains ISO 9001:2008 accreditation. It is company policy to provide products and services that meet the highest standards of quality in the industry.

Membership Organizations



© Tideland Signal Corporation 2011
BD20R00