

MaxiHALO-60 II

LED Flasher



TIDELAND ENGINEERED

Tideland Signal's New MaxiHalo-60 II LED flasher assembly allows for an easy upgrade to LED technology without having to replace existing lanterns. MaxiHALO-60 provides a fully focused light in most Tideland marine signal lanterns and is compatible with most commercially available lanterns and rotating beacons. MaxiHALO-60 II LED flasher, a Tideland Signal proprietary light source, projects a light in a 360° horizontal beam pattern.

FEATURES

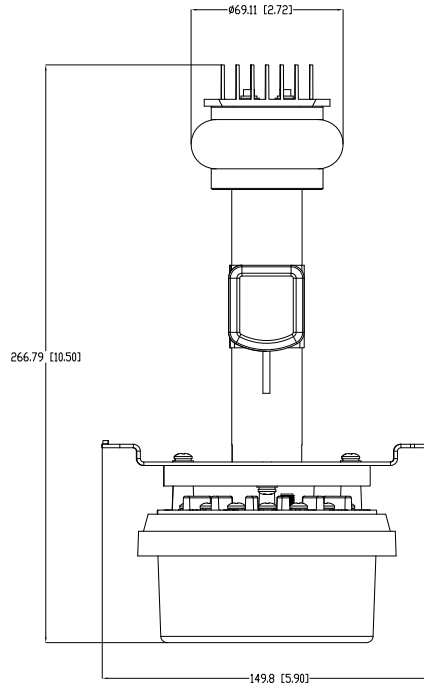
- User selectable power settings for multiple visual range performance
- 256 user selectable flash characters
- Full monitor and control access
- SignalView program to set user options
- Available in all IALA approved colours
- A constant current power source provides maximum lifetime of LEDs
- Temperature compensated LED drive circuits ensure uniform brightness with ambient temperature change
- Provides high electro-optical efficiency
- Impervious to shock and vibration
- Sunswitch on-off set points
- Optional GPS synchronisation module
- Sealed Electronics



MaxiHALO-60 II, shown with optional GPS, is a drop-in replacement LED light source suitable for most standard marine lanterns.



MaxiHALO-60 II shown mounted in an ML-155 marine lantern.



Optional 120/240 converter installed on appropriate DC MaxiHALO-60 II when using AC input power.

**TIDELAND SIGNAL CORPORATION
CORPORATE HEADQUARTERS (Houston, TX)**

TEL + 1 713-681-6101
FAX + 1 713-681-6233
EMAIL hq@tidelandsignal.com

TIDELAND SIGNAL CORPORATION (Lafayette, LA)

TEL + 1 337-269-9113
FAX + 1 337-269-9052
EMAIL lafayettesales@tidelandsignal.com

TIDELAND SIGNAL CANADA LTD

(Vancouver and Ottawa)
TEL + 1 604-247-0988
FAX + 1 604-247-0987
EMAIL canada-sales@tidelandsignal.com

TIDELAND SIGNAL PTE LTD (Singapore)

TEL + 65 6333-0078
FAX + 65 6333-0079
EMAIL sales@tidelandsignal.com.sg

TIDELAND SIGNAL LTD (Burgess Hill, UK)

TEL + 44 (0) 1444 872240
FAX + 44 (0) 1444 872241
EMAIL sales@tidelandsignal.ltd.uk

TIDELAND SIGNAL LTD (Dubai, UAE)

TEL + 971 4-886-0180
FAX + 971 4-886-0181
EMAIL sales@tidelandsignal.ltd.uk

TIDELAND SIGNAL PTE. LTD (Shanghai, China)

TEL + 86 (0) 21-3868-8327
FAX + 86 (0) 21-3808-8087
EMAIL sales@tidelandsignal.com.sg

WEBSITE www.tidelandsignal.com



ISO 9001:2008
Certificate
Number: 30061

ISO 9001:2008

Tideland Signal Corporation maintains ISO 9001:2008 accreditation. It is company policy to provide products and services that meet the highest standards of quality in the industry.



When installed in an ML-300/155/140, the lantern is rated UL Class 1, Division 2, Group D or Atex Category 3.

ATEX
Category 3.



Membership Organisations



SPECIFICATIONS

Input Voltage	9 to 36 VDC
Power Consumption	Variable up to 7 watts or 19 watts for EFF version
Power Setting	Field selectable
Colours Available	Red, green, yellow, white, blue
Operating Temperature	-40° to +70° C
Storage Temperature	-40° to +70° C
Vertical Beam Divergence	Variable – see marine lantern product bulletins
Quiescent Current	< 7 mA
Flash Codes	Up to 256 codes, field selectable or via communication links
Synchronisation	GPS or hard wire options
Monitor and Control	Capable
Visibility	360° horizon (omnidirectional)
Sunswitch Threshold	Variable

NOTE: Specifications are subject to change.

Effective Intensity Tables can be found on our website at www.tidelandsignal.com

MaxLumina is a registered trademark of Tideland Signal Corporation.

© Tideland Signal Corporation 2011
D20R0