

RL-355

MaxLumina® Range Lantern



TIDELAND SIGNAL CORPORATION

The RL-355 MaxLumina® range lantern was developed under U.S. Coast Guard contract as an improved high-efficiency range lantern. Maintenance, flash code changes, and most repairs can be performed in the field for significant savings in operating costs. Depending upon the lamp used, the lantern is effective for short and long ranges and for day and nighttime operation. Daytime visibility of 5 NM is attainable.

FEATURES:

- Supports all industry standards
- Utilises 1/4-inch-thick transparent acrylic lens
- Light is focused into a beam by a parabolic reflector
- Spreader lenses are available for broad horizontal divergence
- Constructed of corrosion resistant, marine grade materials
- Reliable in the severest of environments
- Utilises Tideland's TF-3B MicroPower OMNIBUS® II six-place incandescent flasher/lampchanger or MLED-RETRO, an LED replacement light source
- Uses incandescent prefocused marine lamps of up to 250 watts
- All IALA approved lens colours are available
- Easy horizontal aiming and adjustment
- External sunswitch
- Full monitor and control access



Tideland range lanterns contain MaxLumina optics that produce maximum beamed light for the lowest possible power consumption.

OPTIONAL EQUIPMENT:

- Optional hood assembly helps keep lens clear of dirt and bird droppings (pictured on back)
- Optional Tideland GPS based automatic system, to maintain flash synchronisation of two or more RL-355 range lanterns

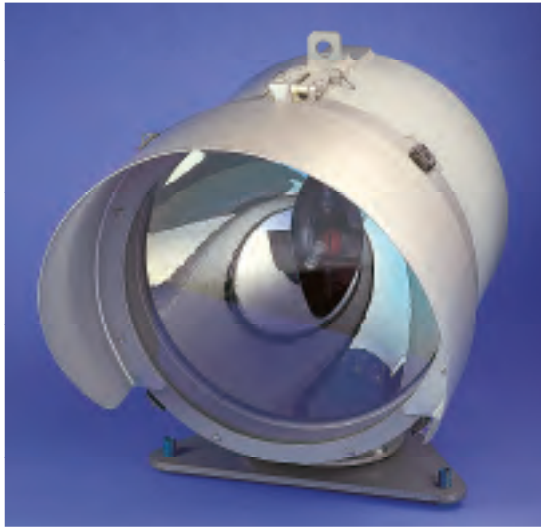
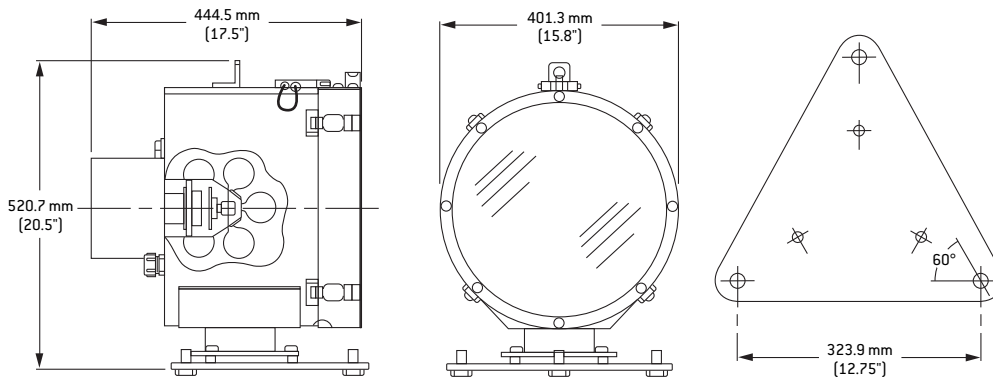


Photo on left shows RL-355 range lantern with its optional hood assembly. The hood helps keep the lens clear of dirt and bird droppings.

DIMENSIONS AND MOUNTING PATTERN



SPECIFICATIONS

Applications	Leading light, short or long range; Port traffic signal, night or day
Input Voltage	Varies with lampchanger and lamps used
Input Current	Varies with lampchanger and lamps used
Optics	14-inch parabolic reflector
Vertical Divergence	Variable with choice of lamps
Horizontal Beam Spreaders	3°, 8°, 11°, 20° or 28°
Mounting	Built-in leveling hardware and slip-ring mounting (3 bolt)
Flasher/Lampchanger	
12 or 24 VDC nominal	TF-3B MicroPower OMNIBUS II
110-120/220-240 VAC	TF-3AC MicroPower
110-120 VAC	FLAC-300/LC-300
Lamps	Standard marine lamps up to 250 watts
Height	520.7 mm (20.5 inches)
Weight	15.45 kg (34 lb) without flasher/lampchanger unit
Options	Light colour—white, green, red or yellow

NOTE: Specifications are subject to change.



TIDELAND SIGNAL CORPORATION CORPORATE HEADQUARTERS

P.O. Box 52430
Houston, Texas 77052-2430, USA
4310 Directors Row
Houston, Texas 77092 USA
PH: + 1 713-681-6101
FAX: + 1 713-681-6233
E-MAIL: hq@tidelandsignal.com

P.O. Box 52370, O.C.S.
Lafayette, Louisiana 70505-2370, USA
PH: + 1 337-269-9113
FAX: + 1 337-269-9052
E-MAIL: lafayettesales@tidelandsignal.com

TIDELAND SIGNAL CANADA LTD.
#2170—21331 Gordon Way
Richmond, B.C., Canada V6W 1J9
PH: + 1 604-247-0988
FAX: + 1 604-247-0987
E-MAIL: sales@tidelandsignalcanada.com

TIDELAND SIGNAL PTE. LTD.
Crystal Time Building
16 Tannery Lane #04-00
Singapore 347778
PH: + 65 6333-0078
FAX: + 65 6333-0079
E-MAIL: sales@tidelandsignal.com.sg

TIDELAND SIGNAL LIMITED
Unit B, Kendal House
Victoria Way
Burgess Hill, Sussex, RH15 9NF, UK
PH: + 44 (0) 1444 872240
FAX: + 44 (0) 1444 872241
E-MAIL: sales@tidelandsignal.ltd.uk

TIDELAND SIGNAL LTD. (UAE)
FZS1 BB03, JAFZA South
Jebel Ali Free Zone, Dubai, U.A.E.
PH: + 971 4-886-0180
FAX: + 971 4-886-0181
E-MAIL: sales@tidelandsignal.ltd.uk

WEB SITE: www.tidelandsignal.com



Tideland Signal Corporation maintains ISO 9001:2000 accreditation. It is company policy to provide products and services that meet the highest standards of quality in the industry.

Membership Organisations



PRINTED IN U.S.A.

© Tideland Signal Corporation 2006 – 5MB8R5