

# MLED-120E

## Marine Lantern



TIDELAND SIGNAL CORPORATION

Tideland's MLED-120E is offered in a series of marine lantern products to meet the varied needs of Port and Harbour Authorities. MLED-120E marine lanterns are designed to operate in all marine environments. Utilising high gain internal refracting lenses, these lanterns produce a maximum efficiency light achieving performance ranges of 3 to 6 NM.

### FEATURES:

- DA-65 LED array is available in one, two, three or four tier configurations, each tier consists of 30 high-intensity LEDs precision mounted to internal refracting ring
- Arrays operational life approaching 100,000 hours
- Available in all approved IALA colours
- Arrays are colour coded for easy identification when unlit
- 256 preprogrammed flash codes
- High efficiency DC to DC converter
- Reverse polarity protection
- Robust surge protection
- Monitor and control access
- Expanded PTFE provides protection against dust and liquid contaminants along with equalisation of ambient pressure for lantern integrity
- Mounting plate separable from lens housing for easy installation and maintenance

### Optional Feature:

- Tideland Signal's SyncMaster circuitry enables two or more MLED-120E lanterns to flash in unison



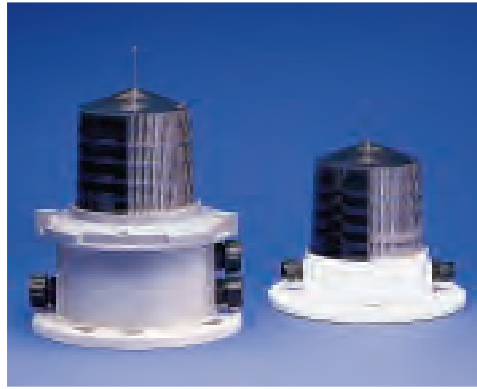
Shown are the MLED-120E marine lanterns: yellow (four tier LED), white (one tier LED), red (two tier LED), and green (three tier LED).

without interconnecting cables or radio links between lanterns. The DA-65 array incorporates a GPS antenna receiver with Tideland's MicroPower OMNIBUS® II in a modified version. By utilising the Universal Time Coordinated (UTC) signal from Global Positioning System (GPS) satellite network, the GPS receiver signal is fed into the SyncMaster circuit ensuring every MLED-120E starts its flash sequence at precisely the same time.

# MLED-120 Bridge and Barge

## FEATURES:

- Available in AC and DC versions: DC array can operate either fixed or flashing, the AC version operates fixed flash only
- Wide divergence lens provides the perfect light, especially high bridge applications
- All standards established by the Authority for sectored lenses are provided
- Provides all the same features as the MLED-120E marine lantern
- Optional synchronisation module



Shown are the MLED-120 bridge and barge marine lanterns with sectored lenses. Available in either E-Base housing (right) or multiple cable entry version (left).

### SPECIFICATIONS

#### MLED-120E

<b>Power</b>	
Input Voltage .....	10 to 36 VDC
Input Power (lights on) Green/White/Red/Yellow .....	2.5 Watts/LED tier
Quiescent Current .....	7.7 mA
Vertical Divergence .....	7° at 50% Peak Intensity; 14° at 10% Peak Intensity
Horizon Uniformity .....	±12.5% (1 Tier) to ±8.5% (4 Tier)
Operating Temperature .....	-40°C to +55°C
Relative Humidity .....	100% Condensing
Colours Available .....	White, Red, Yellow, Green and Blue
Weight .....	0.8 kg (1.8 lb)

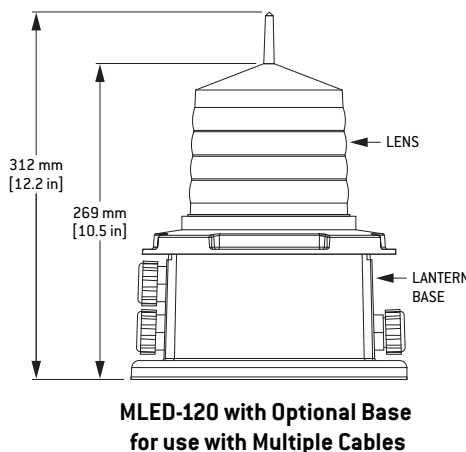
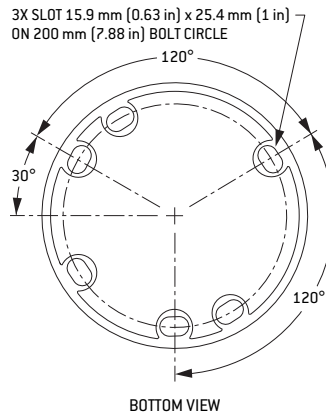
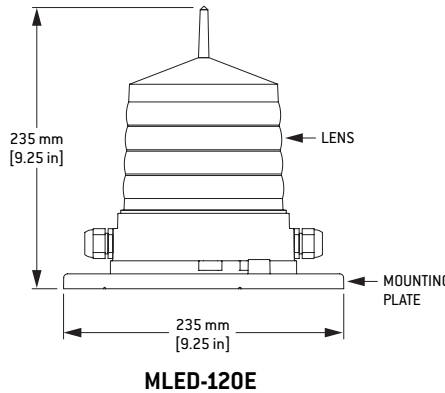
#### MLED-120E SyncMaster (Option)

<b>Power</b>	
Input Voltage .....	10 to 36 VDC (Optional: 120/240 VAC)
Input Power (lights on) Green/White/Red/Yellow .....	2.5 Watts/LED tier
Quiescent Current .....	9.7 mA
Vertical Divergence .....	7° at 50% Peak Intensity; 14° at 10% Peak Intensity
Horizon Uniformity .....	±12.5% (1 Tier) to ±8.5% (4 Tier)
Operating Temperature .....	-40°C to +55°C
Relative Humidity .....	100% Condensing
Colours Available .....	White, Red, Yellow, Green and Blue
Weight .....	1.0 kg (2.2 lb)

#### MLED-120 Bridge and Barge Lanterns

<b>Power</b>	
Input Voltage .....	10 to 36 VDC (Optional: 120/240 VAC)
Input Power (lights on) Green/White/Red/Yellow .....	2.5 Watts/LED tier
Quiescent Current .....	7.7 mA
Vertical Divergence .....	7° at 50% Peak Intensity; 14° at 10% Peak Intensity
Horizon Uniformity .....	±12.5% (1 Tier) to ±8.5% (4 Tier)
Operating Temperature .....	-40°C to +55°C
Relative Humidity .....	100% Condensing
Colours Available .....	White, Red, Yellow, Green and Blue
Weight .....	E-Base ..... 0.8 kg (1.8 lb) Optional Base ..... 1.6 kg (3.5 lb)

NOTE: Specifications are subject to change.



### TIDELAND SIGNAL CORPORATION CORPORATE HEADQUARTERS

P.O. Box 52430  
Houston, Texas 77052-2430, USA  
4310 Directors Row  
Houston, Texas 77092 USA  
PH: + 1 713-681-6101  
FAX: + 1 713-681-6233  
E-MAIL: hq@tidelandsignal.com

P.O. Box 52370, O.C.S.  
Lafayette, Louisiana 70505-2370, USA  
PH: + 1 337-269-9113  
FAX: + 1 337-269-9052  
E-MAIL: lafayettesales@tidelandsignal.com

TIDELAND SIGNAL CANADA LTD.  
#2170-21331 Gordon Way  
Richmond, B.C., Canada V6W 1J9  
PH: + 1 604-247-0988  
FAX: + 1 604-247-0987  
E-MAIL: sales@tidelandsignalcanada.com

TIDELAND SIGNAL PTE. LTD.  
Crystal Time Building  
16 Tannery Lane #04-00  
Singapore 347778  
PH: + 65 6333-0078  
FAX: + 65 6333-0079  
E-MAIL: sales@tidelandsignal.com.sg

TIDELAND SIGNAL LIMITED  
Unit B, Kendal House  
Victoria Way  
Burgess Hill, Sussex, RH15 9NF, UK  
PH: + 44 (0) 1444 872240  
FAX: + 44 (0) 1444 872241  
E-MAIL: sales@tidelandsignal.ltd.uk

TIDELAND SIGNAL LTD. (UAE)  
FZS1 BB03, JAFZA South  
Jebel Ali Free Zone, Dubai, U.A.E.  
PH: + 971 4-886-0180  
FAX: + 971 4-886-0181  
E-MAIL: sales@tidelandsignal.ltd.uk

**WEB SITE: www.tidelandsignal.com**



Tideland Signal Corporation maintains ISO 9001:2000 accreditation. It is company policy to provide products and services that meet the highest standards of quality in the industry.

#### Membership Organisations



PRINTED IN U.S.A.

© Tideland Signal Corporation 2006 – 5MBD2R4