

# DuoFlash<sup>®</sup> GMU

## OMNIBUS<sup>®</sup> II Twin-Filament Flasher



TIDELAND SIGNAL CORPORATION

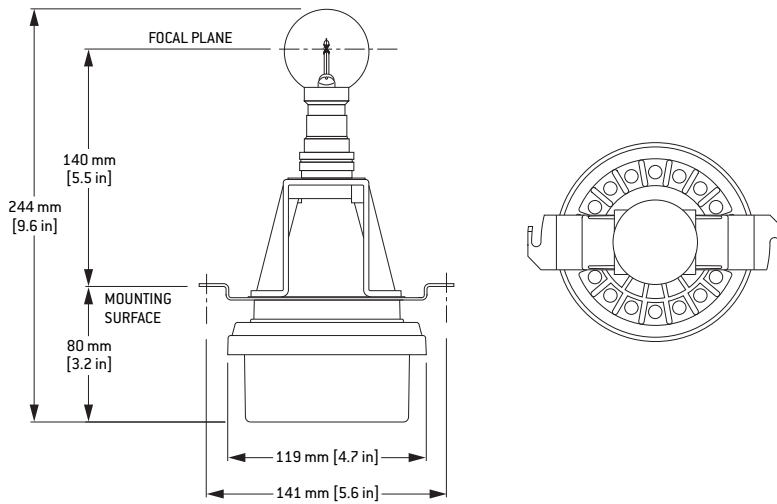
The DuoFlash<sup>®</sup> flasher unit is fitted with a twin-filament lampholder and is suitable for lamps rated from 2 Watts to 40 Watts. The flasher is housed in a low profile twist seal can that allows easy access. The can supports the flasher assembly and photocell. The DuoFlash flasher utilises Tideland Signal's MicroPower OMNIBUS<sup>®</sup> II circuit and is compatible with all Tideland incandescent lanterns and many other lantern brands.

### FEATURES:

- 256 preprogrammed flash codes
- ON and OFF photocell levels, individually set to customer preference
- Multiple units may be synchronised
- Non-volatile memory for storage of configuration
- Programmable via external computer, for seasonal shutdown
- Accepts a wide range of DC voltage inputs without need of adjustment
- Reverse polarity protection, using field replaceable fuses
- Full monitor and control access



Shown is a DuoFlash GMU OMNIBUS II twin-filament flasher with internal sunswitch and external LED filament fail indicator.



### SPECIFICATIONS

|                             |  |
|-----------------------------|--|
| Input Voltage .....         | 9 to 36 volts                                |
| Quiescent Current .....     | 7 mA maximum                                 |
| Lamp Power Range .....      | 2 watts – 40 watts                           |
| Flash Codes .....           | Up to 256 field selectable                   |
| Lamps .....                 | twin-filament B22d base                      |
| Synchronisation .....       | ASCII serial, positive pulse, negative pulse |
| Relative Humidity .....     | 5% – 95% non-condensing                      |
| Operating Temperature ..... | -40°C to +70°C                               |
| Sunswitch Setting .....     | Programmable (30 lux to 90 lux)              |
| Timing Error .....          | ± 1% maximum                                 |
| Internal Voltage Drop ..... | 0.3 volt maximum                             |
| Solar Controller .....      | 12 amp maximum, Voltage level programmable   |

### PURCHASE DESCRIPTION

- P.N. 751.1051-00: DuoFlash OMNIBUS II twin-filament flasher.  
It is supplied fitted with internal photocell.  
If external selection is preferred, add:
- P.N. 901.1079-01: External sunswitch kit

NOTE: Specifications are subject to change.



### TIDELAND SIGNAL CORPORATION CORPORATE HEADQUARTERS

P.O. Box 52430  
Houston, Texas 77052-2430, USA  
4310 Directors Row  
Houston, Texas 77092 USA  
PH: + 1 713-681-6101  
FAX: + 1 713-681-6233  
E-MAIL: hq@tidelandsignal.com

P.O. Box 52370, O.C.S.  
Lafayette, Louisiana 70505-2370, USA  
PH: + 1 337-269-9113  
FAX: + 1 337-269-9052  
E-MAIL: lafayettesales@tidelandsignal.com

TIDELAND SIGNAL CANADA LTD.  
#2170–21331 Gordon Way  
Richmond, B.C., Canada V6W 1J9  
PH: + 1 604-247-0988  
FAX: + 1 604-247-0987  
E-MAIL: sales@tidelandsignalcanada.com

TIDELAND SIGNAL PTE. LTD.  
Crystal Time Building  
16 Tannery Lane #04-00  
Singapore 347778  
PH: + 65 6333-0078  
FAX: + 65 6333-0079  
E-MAIL: sales@tidelandsignal.com.sg

TIDELAND SIGNAL LIMITED  
Unit B, Kendal House  
Victoria Way  
Burgess Hill, Sussex, RH15 9NF, UK  
PH: + 44 (0) 1444 872240  
FAX: + 44 (0) 1444 872241  
E-MAIL: sales@tidelandsignal.ltd.uk

TIDELAND SIGNAL LTD. (UAE)  
FZS1 BB03, JAFZA South  
Jebel Ali Free Zone, Dubai, U.A.E.  
PH: + 971 4-886-0180  
FAX: + 971 4-886-0181  
E-MAIL: sales@tidelandsignal.ltd.uk

WEB SITE: [www.tidelandsignal.com](http://www.tidelandsignal.com)



Tideland Signal Corporation maintains ISO 9001:2000 accreditation. It is company policy to provide products and services that meet the highest standards of quality in the industry.

Membership Organisations



PRINTED IN U.S.A.

© Tideland Signal Corporation 2006 –  
5MD9R3