

Class B Single Lift Unitised Navigational Aids System



TIDELAND SIGNAL CORPORATION

Tideland's Class B Single Lift system is a self-contained solar-powered light/fog signal unit. This unit is ideal for marking remote marine obstructions, such as wellheads, reefs or offshore rocks where mains power is unavailable. The Class B Single Lift system meets or exceeds requirements for use in areas that require a 2 NM white light and a 1/2 NM fog signal.

FEATURES:

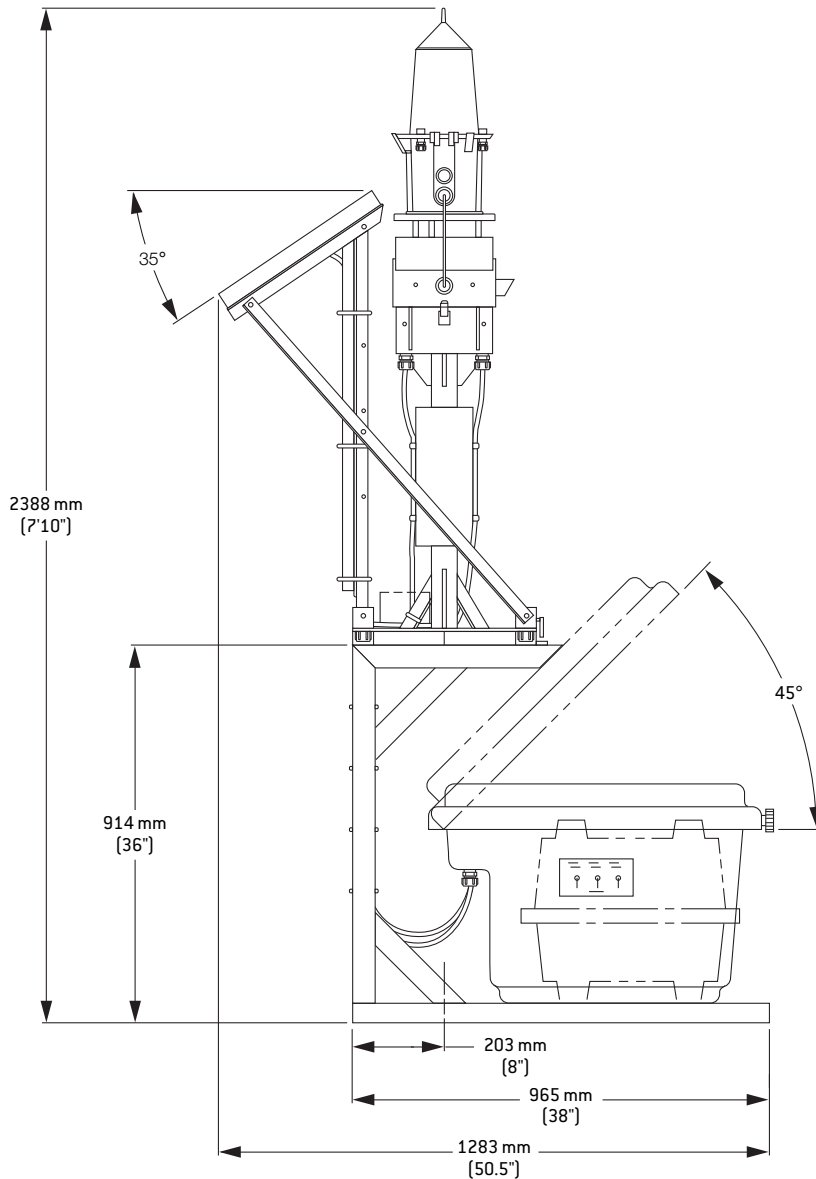
- **LANTERN** – Tideland's ML-155 MaxLumina® features its patented 155 mm acrylic Fresnel lens incorporating 38 optical elements.
- **FLASHER/LAMPCHANGERS** – The Class B Single Lift ML-155 lantern utilises either Tideland's TF-3B MicroPower OMNIBUS® II, a completely automatic solid-state flasher and six-place lampchanger, or RETRO flasher, an LED replacement light source.
- **FOG SIGNAL** – Tideland's AB-26 Audiobeam®, U.S. Coast Guard-approved 1/2 NM fog signal, with ECU-660 electronics, broadcasts a 360° sound beam in the horizon plane with a preselected code. This audible aid complies with the recommendations of IALA and is UL Listed for Class I, Division 2, Group D Hazardous Locations.
- **POWER** – One 40 watt solar panel and three V12MF energy cells (enclosed in watertight fiberglass FG-12 battery box). The electric energy output from the solar generator battery is separate for the fog signal and the light. The energy system is sized for stand-alone service for continuous year-round operation.

ADDITIONAL FEATURES:

- Full monitor and control access
- All approved IALA colours available for lights

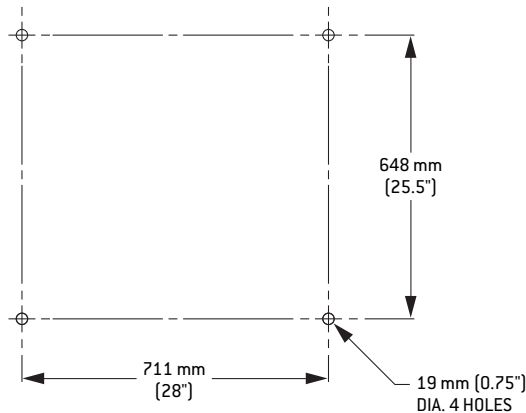


Class B Single Lift with frame-mounted solar panels.



MOUNTING PATTERN

Installed Weight:
194 kg (428 lb)



Tideland's ML-155 lantern with TF-3B MicroPower OMNIBUS flasher/lampchanger and the AB-26 fog signal are listed by Underwriters Laboratories as being suitable for use in Class I, Division 2, Group D Hazardous Locations as defined by the National Electrical Code.

Audiobeam, MaxLumina and MicroPower OMNIBUS are registered trademarks of Tideland Signal Corporation.

**TIDELAND SIGNAL CORPORATION
CORPORATE HEADQUARTERS**

P.O. Box 52430
Houston, Texas 77052-2430, USA
4310 Directors Row
Houston, Texas 77092 USA
PH: + 1 713-681-6101
FAX: + 1 713-681-6233
E-MAIL: hq@tidelandsignal.com

P.O. Box 52370, O.C.S.
Lafayette, Louisiana 70505-2370, USA
PH: + 1 337-269-9113
FAX: + 1 337-269-9052
E-MAIL: lafayettesales@tidelandsignal.com

TIDELAND SIGNAL CANADA LTD.
#2170-21331 Gordon Way
Richmond, B.C., Canada V6W 1J9
PH: + 1 604-247-0988
FAX: + 1 604-247-0987
E-MAIL: sales@tidelandsignalcanada.com

TIDELAND SIGNAL PTE. LTD.
Crystal Time Building
16 Tannery Lane #04-00
Singapore 347778
PH: + 65 6333-0078
FAX: + 65 6333-0079
E-MAIL: sales@tidelandsignal.com.sg

TIDELAND SIGNAL LIMITED
Unit B, Kendal House
Victoria Way
Burgess Hill, Sussex, RH15 9NF, UK
PH: + 44 (0) 1444 872240
FAX: + 44 (0) 1444 872241
E-MAIL: sales@tidelandsignal.ltd.uk

TIDELAND SIGNAL LTD. (UAE)
FZS1 BB03, JAFZA South
Jebel Ali Free Zone, Dubai, U.A.E.
PH: + 971 4-886-0180
FAX: + 971 4-886-0181
E-MAIL: sales@tidelandsignal.ltd.uk

WEB SITE: www.tidelandsignal.com



Tideland Signal Corporation maintains ISO 9001:2000 accreditation. It is company policy to provide products and services that meet the highest standards of quality in the industry.

Membership Organisations



PRINTED IN U.S.A.

© Tideland Signal Corporation 2006 – 5MF6R1