

# AB-860

## Audiobeam<sup>®</sup> 2 NM Fog Signal



TIDELAND SIGNAL CORPORATION

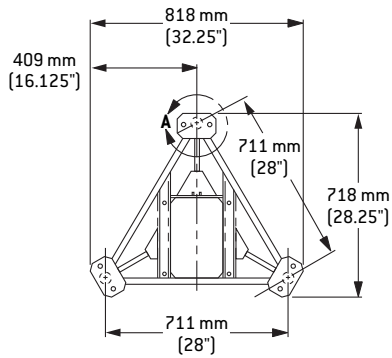
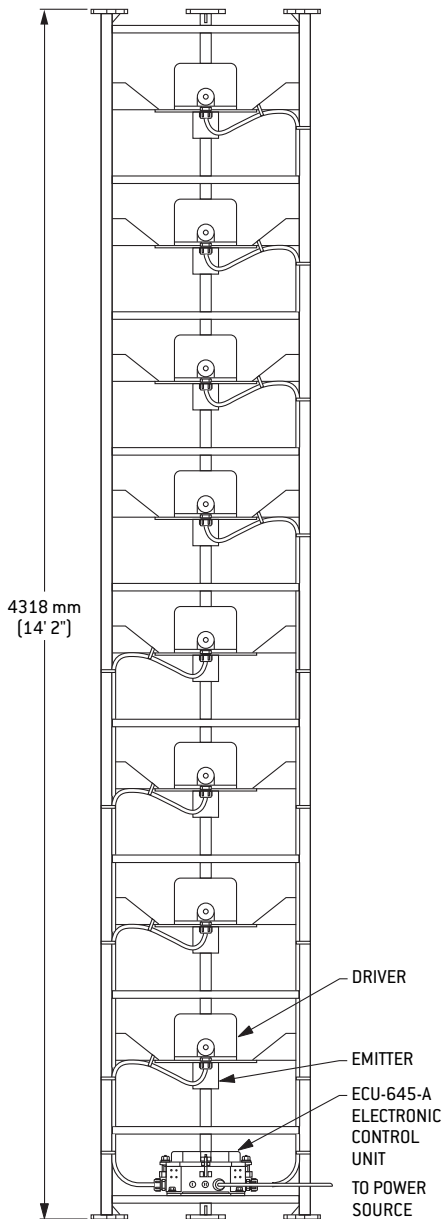
The AB-860 Audiobeam<sup>®</sup> is an electronically powered fog signal that automatically broadcasts a 360° beam of sound in the horizontal plane to a preselected code. It is UL listed as suitable for use in Class I, Division 2, Group D Hazardous Locations as described by the National Electrical Code. AB-860 is U.S. Coast Guard approved and meets all recommended IALA requirements for a usual range of 2 NM fog signal. The AB-860 is engineered for unattended operation.

### FEATURES:

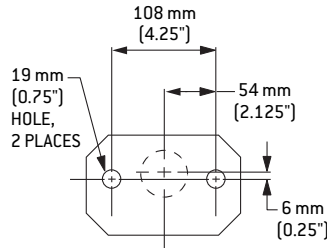
- ECU-645-A, Tideland Signal's patented solid-state power amplifier
- OMNIBUS<sup>®</sup> circuitry allows two or more fog signals to be synchronised
- Off-time current is less than 30 milliamperes
- Eight Tideland Signal TDA-375 precision, heavy-duty driver units
- Drivers are engineered for efficiency and long life, operating at only 10% of rated capacity
- Structure is hot-dipped galvanised steel
- Patented solid-state dissipationless power regulator automatically provides the required power to the array of driver-emitters
- Mounting options: base down or suspended from top
- Full monitor and control access



Shown is AB-860 Audiobeam 2 NM Fog Signal.



**BASE PLATE DETAIL**



**DETAIL "A"**

**AB-860 AUDIOBEAM  
2 NM FOG SIGNAL**



UL listed for Class I,  
Division 2, Group D.

Ex II 3G

**SPECIFICATIONS**

Range .....	2 NM (Per 33 CFR 67.10 and usual range recommended by IALA)
Input	
Voltage .....	10 – 14 VDC
Current @ 12 VDC .....	4.5 amperes during blast; 30 milliamperes quiescent
Output	
Frequency .....	645 Hz
SPL .....	133.2 dB @ 1 metre
Coding .....	2 sec ON, 18 sec OFF, standard setting or Morse code letter 'U', customer specify 256 field-selectable codes available
Environmental .....	Marine Atmosphere; Temperature Range -40°C to +70°C; 100% Relative Humidity
Weights and Measurements	
Stand alone .....	272 kg (600 lb)
Shipping .....	299 kg (660 lb)
Volume .....	1.92 m <sup>3</sup> (68 cu ft)

NOTE: Specifications are subject to change.



**TIDELAND SIGNAL CORPORATION  
CORPORATE HEADQUARTERS**

P.O. Box 52430  
Houston, Texas 77052-2430, USA  
4310 Directors Row  
Houston, Texas 77092 USA  
PH: + 1 713-681-6101  
FAX: + 1 713-681-6233  
E-MAIL: [hq@tidelandsignal.com](mailto:hq@tidelandsignal.com)

P.O. Box 52370, O.C.S.  
Lafayette, Louisiana 70505-2370, USA  
PH: + 1 337-269-9113  
FAX: + 1 337-269-9052  
E-MAIL: [lafayettesales@tidelandsignal.com](mailto:lafayettesales@tidelandsignal.com)

TIDELAND SIGNAL CANADA LTD.  
#2170–21331 Gordon Way  
Richmond, B.C., Canada V6W 1J9  
PH: + 1 604-247-0988  
FAX: + 1 604-247-0987  
E-MAIL: [sales@tidelandsignalcanada.com](mailto:sales@tidelandsignalcanada.com)

TIDELAND SIGNAL PTE. LTD.  
Crystal Time Building  
16 Tannery Lane #04-00  
Singapore 347778  
PH: + 65 6333-0078  
FAX: + 65 6333-0079  
E-MAIL: [sales@tidelandsignal.com.sg](mailto:sales@tidelandsignal.com.sg)

TIDELAND SIGNAL LIMITED  
Unit B, Kendal House  
Victoria Way  
Burgess Hill, Sussex, RH15 9NF, UK  
PH: + 44 (0) 1444 872240  
FAX: + 44 (0) 1444 872241  
E-MAIL: [sales@tidelandsignal.ltd.uk](mailto:sales@tidelandsignal.ltd.uk)

TIDELAND SIGNAL LTD. (UAE)  
FZS1 BB03, JAFZA South  
Jebel Ali Free Zone, Dubai, U.A.E.  
PH: + 971 4-886-0180  
FAX: + 971 4-886-0181  
E-MAIL: [sales@tidelandsignal.ltd.uk](mailto:sales@tidelandsignal.ltd.uk)

**WEB SITE: [www.tidelandsignal.com](http://www.tidelandsignal.com)**



Tideland Signal Corporation maintains ISO 9001:2000 accreditation. It is company policy to provide products and services that meet the highest standards of quality in the industry.

Membership Organisations



PRINTED IN U.S.A.

© Tideland Signal Corporation 2006 – 5MG3R4