

# AB-26 Audiobeam®

## UL-Listed 1/2 NM Fog Signal



TIDELAND SIGNAL CORPORATION

AB-26 Audiobeam® is an electrically powered fog signal that automatically broadcasts a 360° beam of sound in the horizontal plane to a preselected code. It is UL listed as suitable for use in Class I, Division 2, Group D Hazardous Locations. The AB-26 is United States Coast Guard approved. The IALA usual range for this fog signal is 1/2 NM.

### FEATURES:

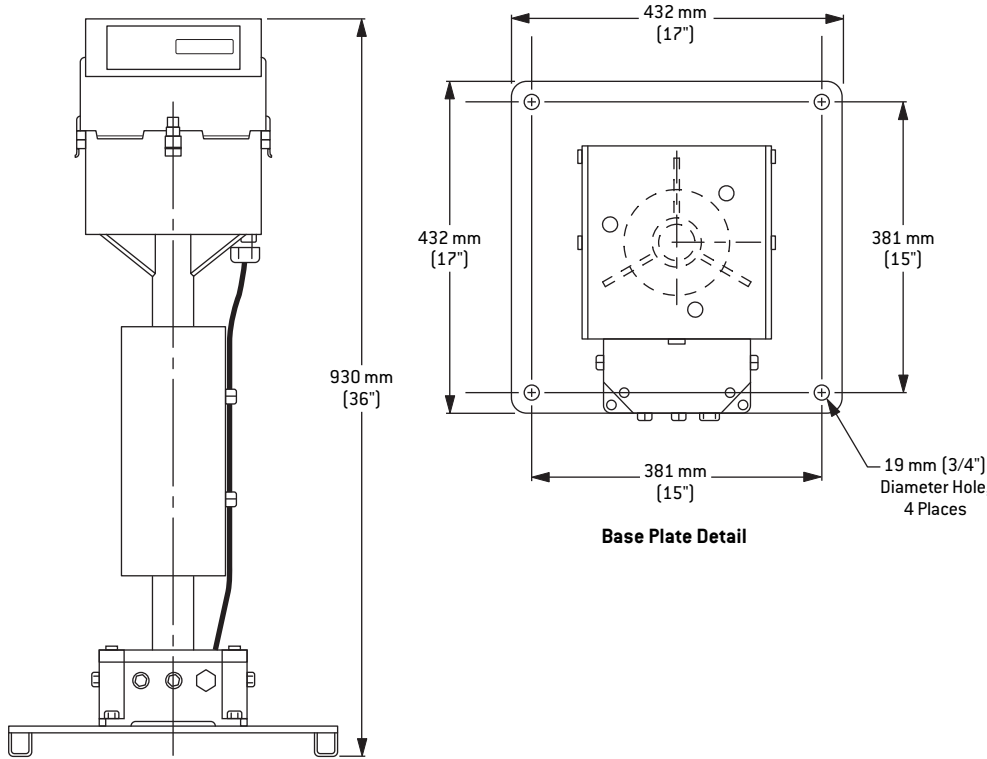
- **ELECTRONIC CONTROL UNIT** – Contained within the hinged top section are the electronic controls utilising a patented solid-state power amplifier, a time delay circuit with corresponding three-position switch and a unijunction control-led timer. Timer uses Tideland's OMNIBUS® circuitry technology, which allows two or more fog signal units to be synchronised to sound sequentially or in unison.
- **ELECTRODYNAMIC DRIVER UNITS** – A heavy-duty driver powers a dual-resonant emitter. Enclosed in the AB-26 weatherproof housing, it is engineered for efficiency and long on-station life, operating at less than 25% of rated capacity.
- **STRUCTURE** – AB-26 structure is 5052-H32 aluminium with primer wash and Polane epoxy coating. The fog signal is completely assembled and wired, ready for field connection with 3/4-inch NPT cable entry and six 3/4-inch NPT UL-Listed NavGrip® plug entries.
- **POWER** – AB-26 is designed for unattended operation from a source of 12 volts DC primary or secondary energy cells. It can be operated from Tideland's SolaViva® solar power generator, or from mains power using a Tideland Signal power supply or charger and secondary energy cell.



AB-26 Audiobeam comes with a one year warranty against defective material and workmanship.

**ADDITIONAL FEATURES:**

- All recognised signal codes, available
- All Morse Code letters
- Precision frequency standard, accurate to 0.2%
- Tideland patented solid-state dissipationless power regulator
- Corrosion protection, provided by urethane encapsulation
- Off-time current drain 0.04 ampere maximum



**AB-26 Fog Signal, UL Listed**  
**Total Weight: 30.8 kg (68 lb)**



UL listed for Class I,  
 Division 2, Group D.  
 Ex II 3G

**SPECIFICATIONS**

Range .....	1/2 NM (Per 33 CFR 67.10 and usual range recommended by IALA)
Input	
Voltage .....	10 – 14 VDC
Current @ 12 VDC .....	2A maximum
Output	
Frequency .....	660 Hz
SPL .....	120.5 dB @ 1 metre
Coding .....	2 sec ON, 18 sec OFF, standard setting or Morse code letter 'U', customer specify 256 field-selectable codes available
Environmental .....	Marine Atmosphere; Temperature Range -40°C to +70°C; 100% Relative Humidity
Weights and Measurements	
Stand alone .....	30.8 kg (68 lb)
Shipping .....	36.3 kg (80 lb)

NOTE: Specifications are subject to change.



**TIDELAND SIGNAL CORPORATION  
 CORPORATE HEADQUARTERS**

P.O. Box 52430  
 Houston, Texas 77052-2430, USA  
 4310 Directors Row  
 Houston, Texas 77092 USA  
 PH: + 1 713-681-6101  
 FAX: + 1 713-681-6233  
 E-MAIL: hq@tidelandsignal.com

P.O. Box 52370, O.C.S.  
 Lafayette, Louisiana 70505-2370, USA  
 PH: + 1 337-269-9113  
 FAX: + 1 337-269-9052  
 E-MAIL: lafayettesales@tidelandsignal.com

TIDELAND SIGNAL CANADA LTD.  
 #2170–21331 Gordon Way  
 Richmond, B.C., Canada V6W 1J9  
 PH: + 1 604-247-0988  
 FAX: + 1 604-247-0987  
 E-MAIL: sales@tidelandsignalcanada.com

TIDELAND SIGNAL PTE. LTD.  
 Crystal Time Building  
 16 Tannery Lane #04-00  
 Singapore 347778  
 PH: + 65 6333-0078  
 FAX: + 65 6333-0079  
 E-MAIL: sales@tidelandsignal.com.sg

TIDELAND SIGNAL LIMITED  
 Unit B, Kendal House  
 Victoria Way  
 Burgess Hill, Sussex, RH15 9NF, UK  
 PH: + 44 (0) 1444 872240  
 FAX: + 44 (0) 1444 872241  
 E-MAIL: sales@tidelandsignal.ltd.uk

TIDELAND SIGNAL LTD. (UAE)  
 FZS1 BB03, JAFZA South  
 Jebel Ali Free Zone, Dubai, U.A.E.  
 PH: + 971 4-886-0180  
 FAX: + 971 4-886-0181  
 E-MAIL: sales@tidelandsignal.ltd.uk

**WEB SITE: [www.tidelandsignal.com](http://www.tidelandsignal.com)**



Tideland Signal Corporation maintains ISO 9001:2000 accreditation. It is company policy to provide products and services that meet the highest standards of quality in the industry.

Membership Organisations



PRINTED IN U.S.A.

© Tideland Signal Corporation 2006 –  
 5MG7R4