

MLED-180HI Ex

External Powered Marine Lantern



TIDELAND ENGINEERED

MLED-180HI Ex brings the benefits of LED technology, low power, high reliability and low maintenance, to the Zone 1 environment.

The flasher and optical source assembly designated MaxiHALO-180HI is designed after the proven MaxiHALO-150.

The MaxiHALO-180HI is installed in a rugged Exd well glass housing used in the rigours of offshore atmospheres.

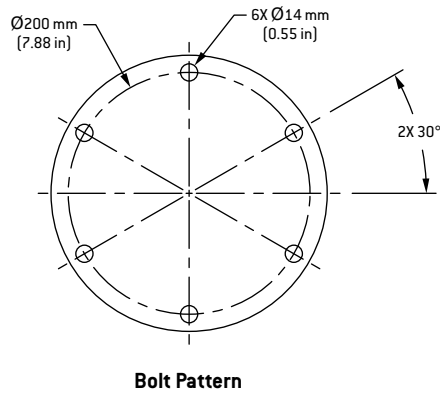
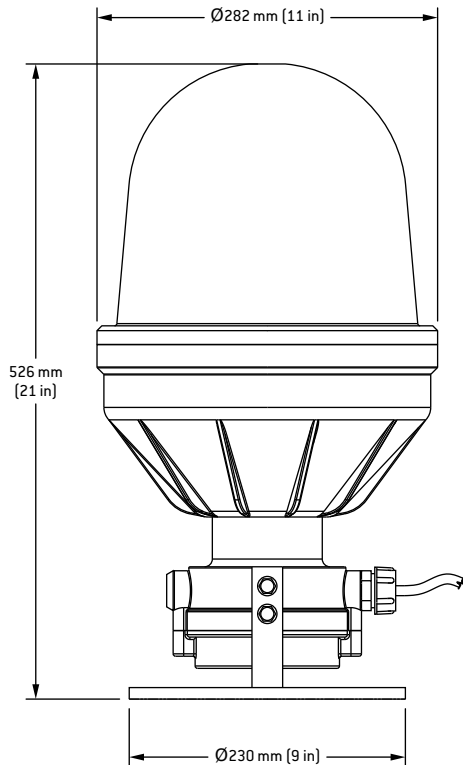
When used in a biform arrangement a range of in excess of 15Nm is achieved. Onboard software constantly monitors operation of the MLED-180HI Ex and initiates an alarm signal if critical operation parameters are exceeded.

FEATURES

- User selectable power settings
- 256 user selectable flash characters
- Temperature compensated LED drive circuits ensure uniform brightness with changes in ambient temperature
- Full monitor and control capability
- Fail output terminal for go/nogo monitoring
- Constant current power source maximises LED life



MLED-180HI Ex is ideal for use as a main light or as a standalone light for use in hazardous gas environments like LNG terminals and jetties.



TIDELAND SIGNAL CORPORATION
CORPORATE HEADQUARTERS (Houston, TX)
 TEL + 1 713-681-6101
 FAX + 1 713-681-6233
 EMAIL hq@tidelandsignal.com

TIDELAND SIGNAL CORPORATION (Lafayette, LA)
 TEL + 1 337-269-9113
 FAX + 1 337-269-9052
 EMAIL lafayettesales@tidelandsignal.com

TIDELAND SIGNAL CANADA LTD
(Vancouver and Ottawa)
 TEL + 1 604-247-0988
 FAX + 1 604-247-0987
 EMAIL canada-sales@tidelandsignal.com

TIDELAND SIGNAL PTE LTD (Singapore)
 TEL + 65 6333-0078
 FAX + 65 6333-0079
 EMAIL sales@tidelandsignal.com.sg

TIDELAND SIGNAL LTD (Burgess Hill, UK)
 TEL + 44 (0) 1444-872240
 FAX + 44 (0) 1444-872241
 EMAIL sales@tidelandsignal.ltd.uk

TIDELAND SIGNAL LTD (Dubai, UAE)
 TEL + 971 (0) 4-885-5842
 FAX + 971 (0) 4-885-7352
 EMAIL sales@tidelandsignal.ltd.uk

WEBSITE www.tidelandsignal.com

SPECIFICATIONS

Input Voltage	24VDC
Average Power Consumption	<40W
Quiescent Current	<7mA
Visibility	360° horizon (omnidirectional)
Monitor and Control	Capable
Flash Codes	256 codes
Synchronisation	Hardwire
Sunswitch Threshold	Variable
Weight	15kg (33lb)
Operating Temperature	-40° to +60°C
Relative Humidity	100% condensing
Atmosphere	Rated for operation in salt air
Wind	Designed to withstand speeds in excess of 320kmph (200mph)
IP Rating	IP65
Protection	II2 GD EEx de IIC T3

NOTE: Specifications are subject to change.



ISO 9001:2008
 Certificate
 Number: 30061

ISO 9001:2008

Tideland Signal Corporation maintains ISO 9001:2008 accreditation. It is company policy to provide products and services that meet the highest standards of quality in the industry.

Membership Organisations



© Tideland Signal Corporation 2011
 BD16R02