

# AB-68 Ex

Audiobeam® 2NM Fog Signal



TIDELAND ENGINEERED

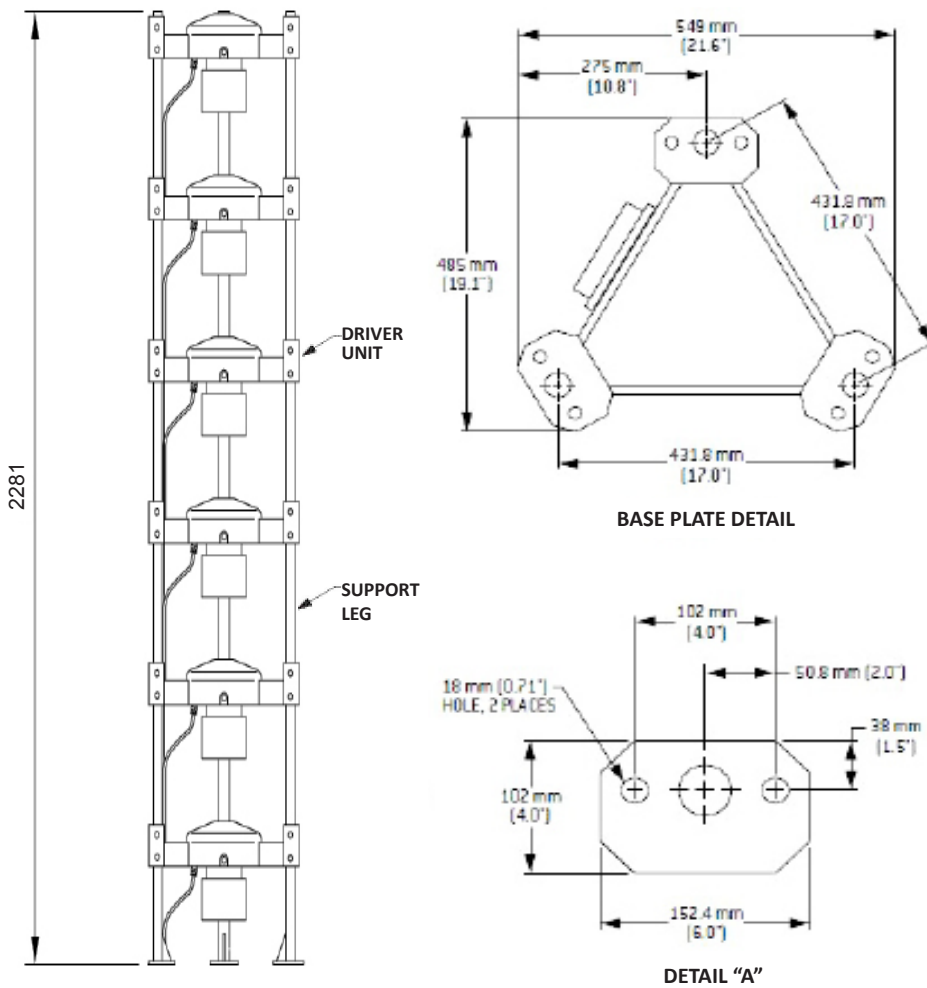
The AB-68-Ex Audiobeam is a multi-emitter array that broadcasts a 360° beam of sound in the horizontal plane to a preselected code. Designed for use on offshore installations in hazardous gas environments.

## FEATURES

- **Emitter Units-** The emitters are heavy-duty electromagnetic types with phenolic-coated linen diaphragms in watertight manganese bronze enclosures. They are highly resistant to corrosion and operate at only 25% of rated capacity ensuring the longest service life.
- **Electronic Control Unit-** Tideland's ECU 800 generates the selected code. In the Main/Secondary arrangement 2 x ECU are used, one duty and one standby. A current monitor will automatically change over from the duty to the standby unit and report an alarm to a central monitor panel. Any 2 driver units are sufficient to meet a ½ mile secondary range requirement.
- **Structure-** The supporting structure comprises 3 x 316 stainless steel legs able to withstand severe hurricane force storms and harsh marine environments. The fog signal is completely assembled, wired and tested and ready for field connection. When a subsidiary light is required its bracket can be mounted to one leg of the structure.
- **Power-** The advantage of the integral coder means the AB-68Ex can operate in autonomous stand alone mode from a central or dedication local battery. Tideland can supply fully certified Zone 1 (ATEX CAT 2) power supply systems.



AB-68 Audio beam Fog Signal



**TIDELAND SIGNAL CORPORATION**  
**CORPORATE HEADQUARTERS (Houston, TX)**  
 TEL + 1 713-681-6101  
 FAX + 1 713-681-6233  
 EMAIL [hq@tidelandsignal.com](mailto:hq@tidelandsignal.com)

**TIDELAND SIGNAL CORPORATION (Lafayette, LA)**  
 TEL + 1 337-269-9113  
 FAX + 1 337-269-9052  
 EMAIL [lafayettesales@tidelandsignal.com](mailto:lafayettesales@tidelandsignal.com)

**TIDELAND SIGNAL CANADA LTD**  
**(Vancouver and Ottawa)**  
 TEL + 1 604-247-0988  
 FAX + 1 604-247-0987  
 EMAIL [canada-sales@tidelandsignal.com](mailto:canada-sales@tidelandsignal.com)

**TIDELAND SIGNAL PTE LTD (Singapore)**  
 TEL + 65 6333-0078  
 FAX + 65 6333-0079  
 EMAIL [sales@tidelandsignal.com.sg](mailto:sales@tidelandsignal.com.sg)

**TIDELAND SIGNAL LTD (Burgess Hill, UK)**  
 TEL + 44 (0) 1444-872240  
 FAX + 44 (0) 1444-872241  
 EMAIL [sales@tidelandsignal.ltd.uk](mailto:sales@tidelandsignal.ltd.uk)

**TIDELAND SIGNAL LTD (Dubai, UAE)**  
 TEL + 971 (0) 4-885-5842  
 FAX + 971 (0) 4-885-7352  
 EMAIL [sales@tidelandsignal.ltd.uk](mailto:sales@tidelandsignal.ltd.uk)

**TIDELAND SIGNAL PTE. LTD (Shanghai, China)**  
 TEL + 86 (0) 21-3868-8327  
 FAX + 86 (0) 21-3808-8087  
 EMAIL [sales@tidelandsignal.com.sg](mailto:sales@tidelandsignal.com.sg)

**WEBSITE** [www.tidelandsignal.com](http://www.tidelandsignal.com)

## SPECIFICATIONS

<b>Range</b>	2NM usual range as defined and recommended by IALA. USCG approved per CFR 67.10 as a 2NM fog signal
<b>Input</b>	
<b>Voltage</b>	12 or 24VDC
<b>Power</b>	180W when sounding
<b>Output</b>	
<b>Frequency</b>	800Hz
<b>SPL</b>	greater than 133.4dB @ 1 metre
<b>Coding</b>	Usually Morse U or one of any 256 pre-programmed
<b>Environmental</b>	Marine atmospheres; 100% Relative Humidity; Emitters - IP64, Electronics – IP66
<b>Hazardous Area Certification</b>	Zone 1 II 2 G Ex d IIB T3 Tamb -40°C to +60°C Gb
<b>Weight</b>	220kg (485lbs)

Note: Specifications are subject to change

CE



ISO 9001:2008  
 Certificate  
 Number: 30061

**ISO 9001:2008**

Tideland Signal Corporation maintains ISO 9001:2008 accreditation. It is company policy to provide products and services that meet the highest standards of quality in the industry.

## Membership Organizations



Audiobeam® is a registered trademark of Tideland Signal Corporation.

© Tideland Signal Corporation 2011  
 G8R04