

TF-3B

MicroPower OMNIBUS® II Flasher/Lampchanger



TIDELAND ENGINEERED

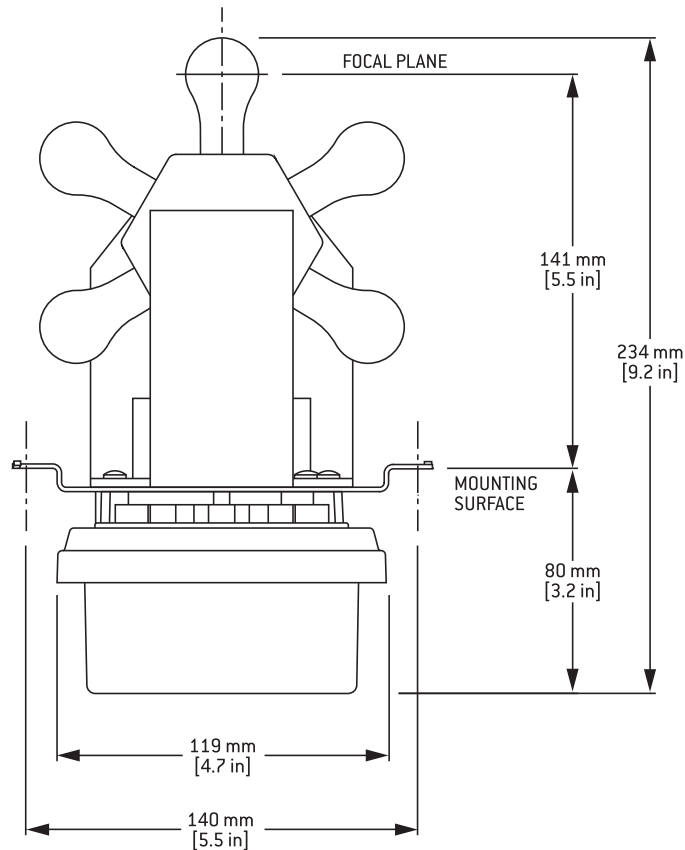
TF-3B is a completely automatic solid-state flasher and six-place lampchanger for use in Tideland Signal marine signal lanterns. It is also compatible with most other manufacturers' lampchangers.

FEATURES

- **LAMPCHANGER** – A moisture protected stepper motor provides necessary torque to rotate a six-place lamp turret. This unit is suitable for lamps rated from 2 to 70 watts. An optional high temperature lamp turret is available when using lamps rated 70 to 110 watts. All contacts are gold-plated for corrosion resistance and long life.
- **MICROPROCESSOR TECHNOLOGY** – Tideland Signal's MicroPower OMNIBUS® II flasher circuit provides lamp out sensing and motor drive control. OMNIBUS® II is field proven and has robust voltage surge suppression and superior power dissipation for long life. OMNIBUS® II flasher offers these additional features and options to provide maximum flexibility, high performance and low maintenance: solar charging controller (12 amps), nonvolatile memory for storage of configuration data, programmable active and sleep modes over a 12 month period, independently adjustable sunswitch settings for dawn to dusk threshold, and fail status via a dedicated output.
- **PROGRAMMING MODES** – TF-3B provides 256 preprogrammed flash code characters that can be synchronised to flash in unison with other lights with the same flash code selected and synchronising terminals connected. In the event that one or more lights fail, remaining lights continue to flash in synchronisation. Tideland's optional SignalView allows for easy user programming from a laptop/PC or by optional radio remote controller.
- **REMOTE MONITOR AND CONTROL** – MicroPower OMNIBUS® II circuit allows for monitor and report status of the following via Tideland's NavLink® system: status of operating lamp, number of lamps remaining, battery voltage (loaded and unloaded), sunswitch, active flash code, alternate flash code, flash code setting, lamp fuse, solar voltage, lamp current and rotation period (if used in rotating beacon). Available control functions include: switch to alternate flash code, override sunswitch, recount good lamps, variable voltage to lamp (optional).



TF-3B flasher/lampchanger and easy access, low profile twist seal housing of MicroPower OMNIBUS® II circuit



**TIDELAND SIGNAL CORPORATION
CORPORATE HEADQUARTERS (Houston, TX)**

TEL + 1 713-681-6101
FAX + 1 713-681-6233
EMAIL hq@tidelandsignal.com

TIDELAND SIGNAL CORPORATION (Lafayette, LA)

TEL + 1 337-269-9113
FAX + 1 337-269-9052
EMAIL lafayettesales@tidelandsignal.com

**TIDELAND SIGNAL CANADA LTD
(Vancouver and Ottawa)**

TEL + 1 604-247-0988
FAX + 1 604-247-0987
EMAIL canada-sales@tidelandsignal.com

TIDELAND SIGNAL PTE LTD (Singapore)

TEL + 65 6333-0078
FAX + 65 6333-0079
EMAIL sales@tidelandsignal.com.sg

TIDELAND SIGNAL LTD (Burgess Hill, UK)

TEL + 44 (0) 1444-872240
FAX + 44 (0) 1444-872241
EMAIL sales@tidelandsignal.ltd.uk

TIDELAND SIGNAL LTD (Dubai, UAE)

TEL + 971 (0) 4-885-5842
FAX + 971 (0) 4-885-7352
EMAIL sales@tidelandsignal.ltd.uk

WEBSITE www.tidelandsignal.com

SPECIFICATIONS

Input Voltage	9 to 36 VDC
Quiescent Current	< 6 mA
Lamp Power Regulation	± 2% over 12 to 36 VDC and -40° C to +70° C
Power Output	
Standard	70 watt maximum
High Temperature	110 watt maximum
Current Monitor	± 10%
Flash Codes	Up to 256 codes, field selectable or via serial communication link
Synchronisation	ASCII serial sync, Positive pulse and Negative pulse
Monitor and Control	Capable
Lamps	Single-contact prefocused
Operating Temperature	-40° C to +70° C
Sunswitch Threshold	(Adjustable) 10 to 400 lux
Timing Accuracy	Within 1%
Real Time Clock Accuracy	± 1 minute/month at 25° C
Relative Humidity	5% to 100%, non-condensing
Lampchanger Motor Current	800 milliamperes
Contacts on Lampchanger	Rated 110 watts

NOTE: Specifications are subject to change.



ISO 9001:2008
Certificate
Number: 30061

ISO 9001:2008

Tideland Signal Corporation maintains ISO 9001:2008 accreditation. It is company policy to provide products and services that meet the highest standards of quality in the industry.

Membership Organisations



MicroPower OMNIBUS® and NavLink® are registered trademarks of Tideland Signal Corporation.

