

SolaLED

Self-Contained Marine Navigation Light - 4Nm



TIDELAND ENGINEERED

SolaLED is a high intensity, self-contained, marine navigation light with its own solar power system and battery pack. Designed for trouble-free service in the harshest of marine environments, SolaLED utilises the latest LED technology, state-of-the-art optical design and manufacturing techniques.

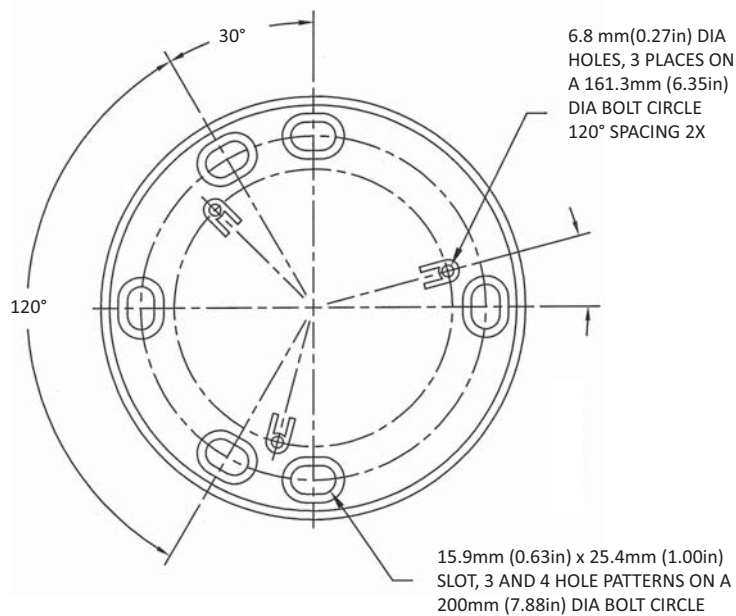
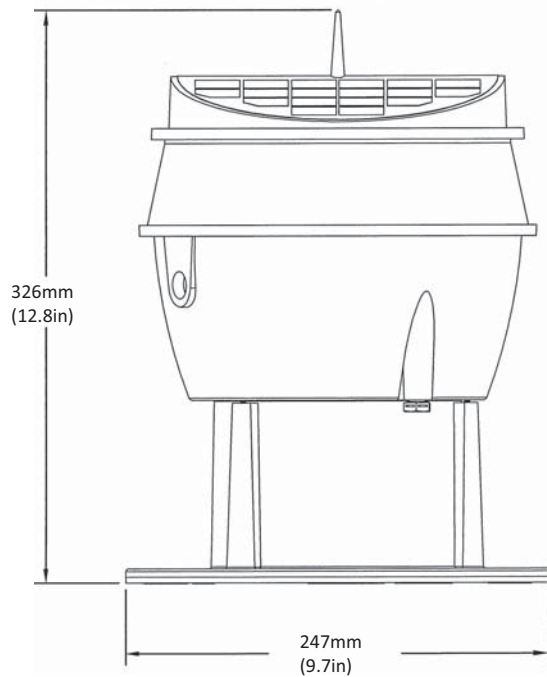
SolaLED features a tough, ultraviolet resistant, polycarbonate outer enclosure. A metalised polycarbonate reflector provides two options: narrow beam for long range applications or a wider beam for use on buoys.

An efficient, high intensity LED powered by Tideland engineered electronic circuitry provides current controlled power conversion. A unique method of on-site operational testing is achieved by use of a magnetic sensor, without requiring opening of lantern or external cable connection.



FEATURES

- **TWO REFLECTOR OPTIONS** – Narrow vertical divergence beam for maximum visual range in fixed locations or high stability buoy applications or a wider beam for channel marker buoys and short range jetty lights.
- **PROGRAMMING MODES** – SolaLED is factory set for power and required flash character. For customer and maintenance personnel, SolaLED can be easily re-configured utilising SignalView™ software available from Tideland.
- **MAGNET ACTIVATED SWITCH (QUICK CHECK)** – Provides a means of (1) switching SolaLED on or off, (2) testing the flash character and battery, and (3) placing SolaLED into a rest mode for solar charging or floating battery charge. Activation is achieved by passing a magnetic pencil over an internal sensor. Test results are shown by coded flash sequences of the LED.



SPECIFICATIONS

Colours Available	Red, green, yellow, white and blue
Solar Module Rating	2.75 Peak Watts @ 12 VDC (Nominal)
Battery Rating	7.5 Ah @ 12 VDC
Visibility	360° (Omnidirectional)
Vertical Divergence	Narrow or Wide
Operating Temperature	-40° to +60° C
Height	326 mm (12.8 in)
Diameter	247 mm (9.7 in)
Weight	4.54 kg (10.0 lbs)
Material	Polycarbonate Plastic

NOTE: Specifications are subject to change.

TIDELAND SIGNAL CORPORATION CORPORATE HEADQUARTERS (Houston, TX)

TEL + 1 713-681-6101
FAX + 1 713-681-6233
EMAIL hq@tidelandsignal.com

TIDELAND SIGNAL CORPORATION (Lafayette, LA)

TEL + 1 337-269-9113
FAX + 1 337-269-9052
EMAIL lafayettesales@tidelandsignal.com

TIDELAND SIGNAL CANADA LTD

(Vancouver and Ottawa)
TEL + 1 604-247-0988
FAX + 1 604-247-0987
EMAIL canada-sales@tidelandsignal.com

TIDELAND SIGNAL PTE LTD (Singapore)

TEL + 65 6333-0078
FAX + 65 6333-0079
EMAIL sales@tidelandsignal.com.sg

TIDELAND SIGNAL LTD (Burgess Hill, UK)

TEL + 44 (0) 1444-872240
FAX + 44 (0) 1444-872241
EMAIL sales@tidelandsignal.ltd.uk

TIDELAND SIGNAL LTD (Dubai, UAE)

TEL + 971 (0) 4-885-5842
FAX + 971 (0) 4-885-7352
EMAIL sales@tidelandsignal.ltd.uk

WEBSITE www.tidelandsignal.com



ISO 9001:2008
Certificate
Number: 30061

ISO 9001:2008

Tideland Signal Corporation maintains ISO 9001:2008 accreditation. It is company policy to provide products and services that meet the highest standards of quality in the industry.

Membership Organisations



SignalView™ is a trademark of Tideland Signal Corporation.



© Tideland Signal Corporation 2010
BD13R03