

# Sola-Chan

## Marine Signal Lights



TIDELAND ENGINEERED

Sola-Chan signal lanterns are unitised, low maintenance light systems powered by solar energy for reliable operation in remote areas.

All parts of the Sola-Chan system are Tideland factory assembled and pre-wired. The system is simply lifted into place and secured. A standard system weighs from 70kg (154lb) to 87kg (191lb), depending upon model and configuration selected.

### FEATURES

- **LANTERNS** - Sola-Chan can be fitted with Tideland's ML-300, ML-140 and ML-155 MaxLumina® standard marine lanterns or any of Tideland's range of LED lanterns.
- **SOLAR MODULES** - One 12-volt solar module mounts under the lantern by a galvanised steel or marine grade aluminium mounting bracket. Modules are available with the following ratings: 10W, 20W, 30W, 50W or 65W. Each module is equipped with bird scarers.
- **CONSTRUCTION** - Sola-Chan consists of a galvanised steel pedestal, base plate and two conductor wiring. Pedestal standard heights vary between 24" (610mm) and 54" (1372mm). An FG-2/12 structural plastic battery box is secured to the pedestal base. This weatherproof battery box can accommodate either one or two V12-MF batteries.

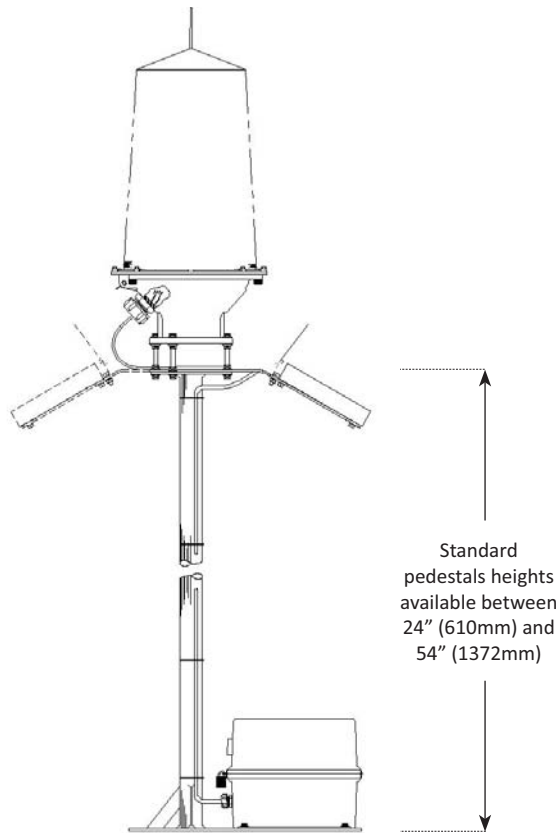
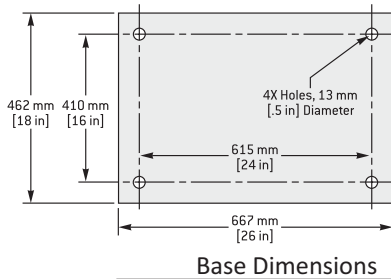


Sola-Chan marine signal light systems are configured to meet site requirements. Shown above is a Sola-Chan unitised system with an MLED-300 MaxLumina® lantern and a 10W solar module mounted on a four foot pedestal.

## DIMENSIONS

The overall weight and height of the complete unit will vary depending on chosen lantern, pedestal and battery options.

See individual lantern data sheets for details.



### TIDELAND SIGNAL CORPORATION CORPORATE HEADQUARTERS (Houston, TX)

TEL + 1 713-681-6101  
FAX + 1 713-681-6233  
EMAIL [hq@tidelandsignal.com](mailto:hq@tidelandsignal.com)

### TIDELAND SIGNAL CORPORATION (Lafayette, LA)

TEL + 1 337-269-9113  
FAX + 1 337-269-9052  
EMAIL [lafayettesales@tidelandsignal.com](mailto:lafayettesales@tidelandsignal.com)

### TIDELAND SIGNAL CANADA LTD (Vancouver and Ottawa)

TEL + 1 604-247-0988  
FAX + 1 604-247-0987  
EMAIL [canada-sales@tidelandsignal.com](mailto:canada-sales@tidelandsignal.com)

### TIDELAND SIGNAL PTE LTD (Singapore)

TEL + 65 6333-0078  
FAX + 65 6333-0079  
EMAIL [sales@tidelandsignal.com.sg](mailto:sales@tidelandsignal.com.sg)

### TIDELAND SIGNAL LTD (Burgess Hill, UK)

TEL + 44 (0) 1444-872240  
FAX + 44 (0) 1444-872241  
EMAIL [sales@tidelandsignal.ltd.uk](mailto:sales@tidelandsignal.ltd.uk)

### TIDELAND SIGNAL LTD (Dubai, UAE)

TEL + 971 (0) 4-885-5842  
FAX + 971 (0) 4-885-7352  
EMAIL [sales@tidelandsignal.ltd.uk](mailto:sales@tidelandsignal.ltd.uk)

WEBSITE [www.tidelandsignal.com](http://www.tidelandsignal.com)

## ADDITIONAL FEATURES

- Solar panel can be easily rotated in 90° increments so that it faces the equator while the battery box remains accessible for maintenance
- A series of Sola-Chan lights, individually powered, can be synchronised to flash in unison
- Full monitor and control access
- All approved IALA colours available for lights
- Optional padlock for battery box



Shown is an RL-355 range lantern



ISO 9001:2008  
Certificate  
Number: 30061

### ISO 9001:2008

Tideland Signal Corporation maintains ISO 9001:2008 accreditation. It is company policy to provide products and services that meet the highest standards of quality in the industry.



Options are available for Class 1, Division 2, Group D.



### Membership Organisations



MaxLumina® is a registered trademark of Tideland Signal Corporation.

© Tideland Signal Corporation 2010  
E2R4