

RETRO Flashers

LED Replacement Light Source



TIDELAND ENGINEERED

Tideland Signal has engineered a series of light flashers that allow for an easy upgrade to LED technology without having to replace lantern housings. MLED-RETRO Flashers are a high intensity single LED light source for use in either Fresnel drum lenses or condensing pencil beam optics such as range lanterns.

MLED-RETRO RL is a single LED light source available in 120 or 240 VAC versions as well as two DC versions. MLED-RETRO RL is useful in pencil beam optics such as Tideland's RL-200 range lantern.

DC units are available in 1 watt and 3 watt versions. The 3 watt version includes an integral heat sink for dissipation of heat inside the lantern housing. 256 flash codes are programmable via Tidelands SignalView™ software.

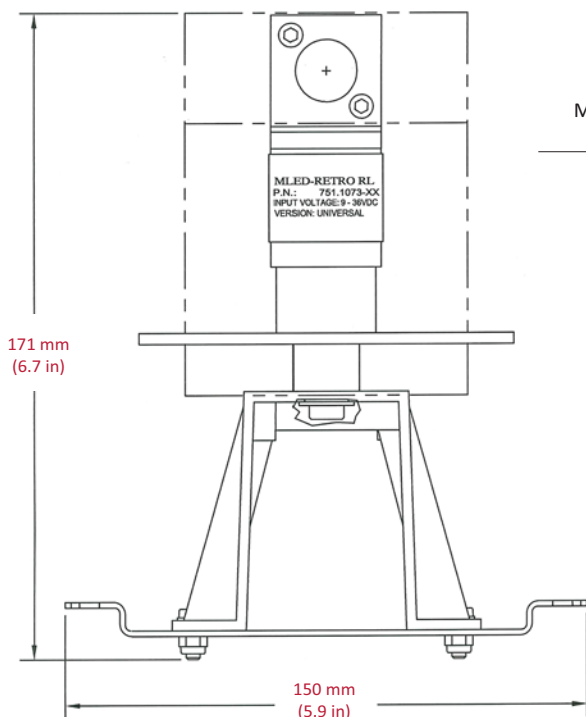
MLED-RETRO AC is a single LED light source, available in 120 or 240 VAC versions, especially useful for bridge light applications. MLED-RETRO AC is a fixed flash (steady burn) unit and operates without use of a photocell. Intensity exceeds candlepower requirements prescribed by 33CFR 118.60.

FEATURES

- Single LED source (RETRO AC/DC) - provides high electro-optical efficiency and is impervious to shock and vibration. Low operating temperature design guards against degrading lumen output.
- Failure relay (RETRO AC) - provides a means of reporting loss of LED current to a remote user alarm. SPDT contacts are activated in case of open circuit to LED, short circuit to LED or low line voltage.
- Microprocessor-based flasher (MLED-RETRO RL DC) - provides programmable flash character, adjustable intensity and sunswitch on-off set points for photovoltaic operation under a broad range of applications.



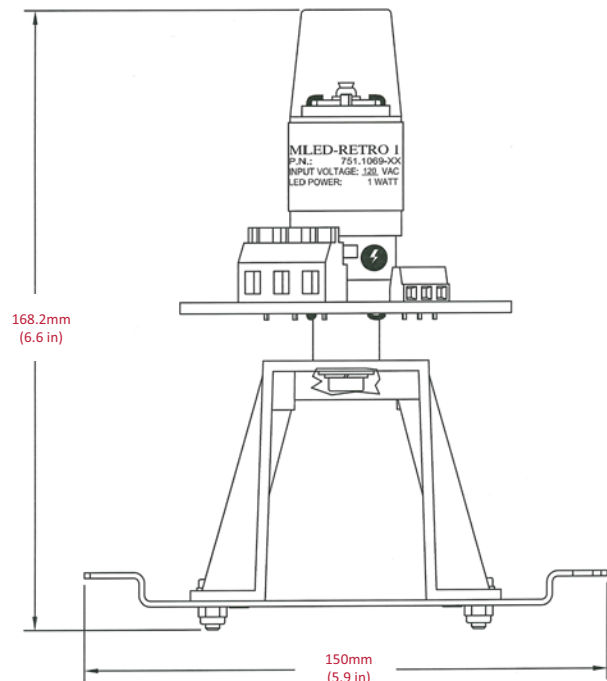
Top photo: MLED-RETRO RL for RL-200 range lantern
Bottom photo: MLED-RETRO AC for Fresnel drum lens lantern



MLED-RETRO RL available in
3 watt or 6 watt versions



Optional 85 - 265 VAC to 24 VDC
converter installed on appropriate
MLED-RETRO RL DC unit when
AC flashing is required



MLED-RETRO AC available
in 120 or 240 versions

SPECIFICATIONS

Power

Input Voltage

MLED-RETRO AC	120/240 VAC
MLED-RETRO RL AC	Use 9085 - 265 VAC to 24 VDC Converter
MLED-RETRO RL DC	9 to 36 VDC

Colours Available Red, green, yellow, white, blue

Visibility 360° horizon (omnidirectional) or pencil beam (range light)

Vertical Beam Divergence Variable – see marine lantern product bulletins

Temperature

Operating	-40° to +60° C
Storage	-40° to +85° C

Note: Specifications are subject to change.

TIDELAND SIGNAL CORPORATION CORPORATE HEADQUARTERS (Houston, TX)

TEL + 1 713-681-6101
FAX + 1 713-681-6233
EMAIL hq@tidelandsignal.com

TIDELAND SIGNAL CORPORATION (Lafayette, LA)

TEL + 1 337-269-9113
FAX + 1 337-269-9052
EMAIL lafayettesales@tidelandsignal.com

TIDELAND SIGNAL CANADA LTD (Vancouver and Ottawa)

TEL + 1 604-247-0988
FAX + 1 604-247-0987
EMAIL canada-sales@tidelandsignal.com

TIDELAND SIGNAL PTE LTD (Singapore)

TEL + 65 6333-0078
FAX + 65 6333-0079
EMAIL sales@tidelandsignal.com.sg

TIDELAND SIGNAL LTD (Burgess Hill, UK)

TEL + 44 (0) 1444-872240
FAX + 44 (0) 1444-872241
EMAIL sales@tidelandsignal.ltd.uk

TIDELAND SIGNAL LTD (Dubai, UAE)

TEL + 971 (0) 4-885-5842
FAX + 971 (0) 4-885-7352
EMAIL sales@tidelandsignal.ltd.uk

WEBSITE www.tidelandsignal.com



ISO 9001:2008
Certificate
Number: 30061

ISO 9001:2008

Tideland Signal Corporation maintains ISO 9001:2008 accreditation. It is company policy to provide products and services that meet the highest standards of quality in the industry.

Membership Organisations



SignalView™ is a trademark of Tideland Signal Corporation



© Tideland Signal Corporation 2010
D18R03