

# MaxLED Series

## Long Range Marine Signal Lanterns



TIDELAND ENGINEERED

MaxLED series features unique proprietary optics engineered to project a 360°, horizontal, high-intensity, long range beam, in excess of 10Nm for MaxLED-200 and up to 14.5Nm for MaxLED-800. Efficient, compact one piece, powerful lenses are available in either wide or narrow vertical divergences, making MaxLED an excellent choice for a broad range of applications including buoys, offshore structures and land-based installations, including lighthouse upgrades.

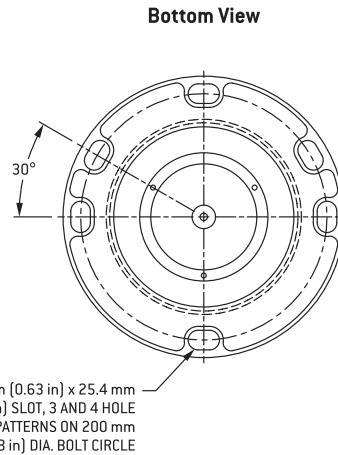
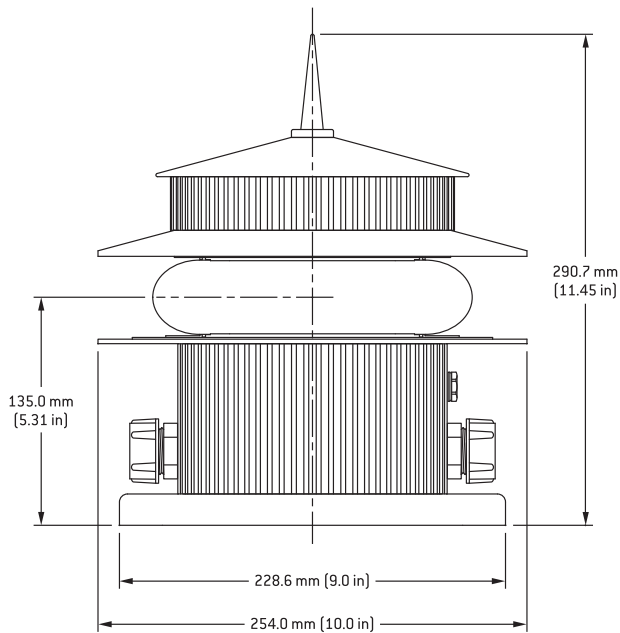
Constructed of rugged, corrosion-resistant marine aluminium, MaxLED-200, 400, 600 and 800 are able to withstand the most severe environments, including icing regions of extreme latitudes. A combination of high efficiency optics, power conditioning circuitry and high intensity LEDs makes MaxLED ideal for solar power installations. Proven LED technology merged with redundant power supplies provide highest reliability, for years of uninterrupted service.

### FEATURES

- User selectable intensity settings
- User selectable flash characters
- Full monitor and control capable
- Redundant high efficiency power supplies assure light operation is sustained in the event of failure of one power supply or LED series string
- A constant current power source provides maximum lifetime of LEDs
- Temperature compensated LED drive circuits ensure uniform brightness with ambient temperature change
- Choice of lens for wide or narrow vertical beam
- SignalView™ program for easy setting of options
- Available in all IALA approved colours



Top image shows MaxLED-200.  
Bottom image shows MaxLED-600.  
MaxLED is also available as MaxLED-400 and 800.



Measurements for MaxLED-200

**TIDELAND SIGNAL CORPORATION**  
**CORPORATE HEADQUARTERS (Houston, TX)**  
 TEL + 1 713-681-6101  
 FAX + 1 713-681-6233  
 EMAIL [hq@tidelandsignal.com](mailto:hq@tidelandsignal.com)

**TIDELAND SIGNAL CORPORATION (Lafayette, LA)**  
 TEL + 1 337-269-9113  
 FAX + 1 337-269-9052  
 EMAIL [lafayettesales@tidelandsignal.com](mailto:lafayettesales@tidelandsignal.com)

**TIDELAND SIGNAL CANADA LTD**  
**(Vancouver and Ottawa)**  
 TEL + 1 604-247-0988  
 FAX + 1 604-247-0987  
 EMAIL [canada-sales@tidelandsignal.com](mailto:canada-sales@tidelandsignal.com)

**TIDELAND SIGNAL PTE LTD (Singapore)**  
 TEL + 65 6333-0078  
 FAX + 65 6333-0079  
 EMAIL [sales@tidelandsignal.com.sg](mailto:sales@tidelandsignal.com.sg)

**TIDELAND SIGNAL LTD (Burgess Hill, UK)**  
 TEL + 44 (0) 1444-872240  
 FAX + 44 (0) 1444-872241  
 EMAIL [sales@tidelandsignal.ltd.uk](mailto:sales@tidelandsignal.ltd.uk)

**TIDELAND SIGNAL LTD (Dubai, UAE)**  
 TEL + 971 (0) 4-885-5842  
 FAX + 971 (0) 4-885-7352  
 EMAIL [sales@tidelandsignal.ltd.uk](mailto:sales@tidelandsignal.ltd.uk)

**WEBSITE** [www.tidelandsignal.com](http://www.tidelandsignal.com)

## SPECIFICATIONS

Input Voltage	9 to 36 VDC
Power Consumption for Series	Variable up to 39 Watts per tier
Colours Available	Red, green, yellow, white and blue
Quiescent Current	< 7mA
Lens Type	1 piece acircular cylindrical acrylic
Visibility	360° horizon (omnidirectional)
Lens Diameter	200mm
Vertical Divergence	Optional 3.5° or 7°
Monitor and Control	Capable
Synchronisation	GPS or hard wire options
Lantern Housing	Marine grade aluminium

### Height

MaxLED-200	290.7mm (11.5in)
MaxLED-400	421.4mm (16.6in)
MaxLED-600	520.4mm (20.5in)
MaxLED-800	644.7mm (25.4in)

### Diameter

Overall	254mm (10.0in)
Base Plate	228.6mm (9.0in)

### Weight

MaxLED-200	4.8kg (10.5lb)
MaxLED-400	9.1kg (20.0lb)
MaxLED-600	13.4kg (29.5lb)
MaxLED-800	17.7kg (39.0lb)

Operating temperature	-40° to +60°C
Relative Humidity	100% condensing
Atmosphere	Rated for continuous operation in salt air
Wind	Designed to withstand speeds in excess of 320 kmph (200 mph)
IP Rating	IP66

NOTE: Specifications are subject to change.



ISO 9001:2008  
 Certificate  
 Number: 30061

### ISO 9001:2008

Tideland Signal Corporation maintains ISO 9001:2008 accreditation. It is company policy to provide products and services that meet the highest standards of quality in the industry.

### Membership Organisations



SignalView™ is a trademark of Tideland Signal Corporation.



© Tideland Signal Corporation 2010  
 BD17R00