

AB-560

Audiobeam® 2Nm Fog Signal



TIDELAND ENGINEERED

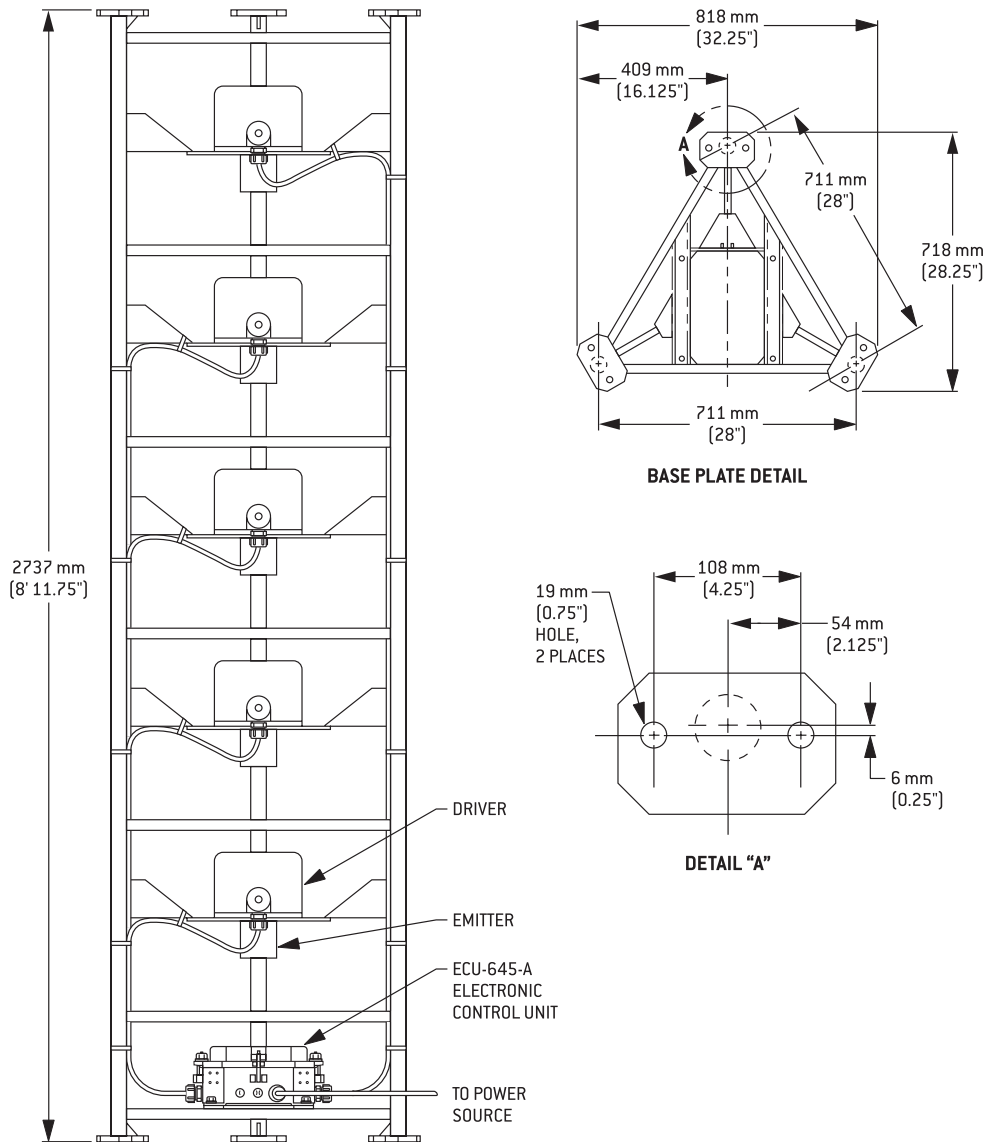
AB-560 Audiobeam® is an electronically powered fog signal that automatically broadcasts a 360° beam of sound to a preselected code audible for 2Nm. It is United States Coast Guard approved, complies with all IALA recommendations and is UL listed as suitable for use in Class I, Division 2, Group D Hazardous Locations.

FEATURES

- ECU-645-A, Tideland Signal's patented solid-state power amplifier
- OMNIBUS® circuitry allows two or more fog signals to be synchronised
- Off-time current is less than 30 milliamperes
- Five Tideland Signal TDA-375 precision, heavy-duty driver units
- Drivers are engineered for efficiency and long life, operating at only 10% of rated capacity
- Structure is hot-dipped galvanised steel
- Patented solid-state dissipationless power regulator automatically provides the required power to the array of driver-emitters
- Mounting options: base down or suspended from top
- Full monitor and control access



Shown is AB-560 Audiobeam® 2Nm fog signal



TIDELAND SIGNAL CORPORATION
CORPORATE HEADQUARTERS (Houston, TX)
 TEL + 1 713-681-6101
 FAX + 1 713-681-6233
 EMAIL hq@tidelandsignal.com

TIDELAND SIGNAL CORPORATION (Lafayette, LA)
 TEL + 1 337-269-9113
 FAX + 1 337-269-9052
 EMAIL lafayettesales@tidelandsignal.com

TIDELAND SIGNAL CANADA LTD
(Vancouver and Ottawa)
 TEL + 1 604-247-0988
 FAX + 1 604-247-0987
 EMAIL canada-sales@tidelandsignal.com

TIDELAND SIGNAL PTE LTD (Singapore)
 TEL + 65 6333-0078
 FAX + 65 6333-0079
 EMAIL sales@tidelandsignal.com.sg

TIDELAND SIGNAL LTD (Burgess Hill, UK)
 TEL + 44 (0) 1444-872240
 FAX + 44 (0) 1444-872241
 EMAIL sales@tidelandsignal.ltd.uk

TIDELAND SIGNAL LTD (Dubai, UAE)
 TEL + 971 (0) 4-885-5842
 FAX + 971 (0) 4-885-7352
 EMAIL sales@tidelandsignal.ltd.uk

WEBSITE www.tidelandsignal.com



ISO 9001:2008
 Certificate
 Number: 30061

ISO 9001:2008

Tideland Signal Corporation maintains ISO 9001:2008 accreditation. It is company policy to provide products and services that meet the highest standards of quality in the industry.



UL listed for Class 1, Division 2, Group D.
 Ex II 3G

Membership Organisations



Audiobeam® and OMNIBUS® are registered trademarks of Tideland Signal Corporation.



© Tideland Signal Corporation 2010
 G4R06

SPECIFICATIONS

Range 2Nm (per 33 CFR 67.10 and usual range recommended by IALA)

Input

Voltage 10 - 15 VDC

Current @ 12 VDC 7.85 amperes during blast; 30 milliamperes quiescent

Output

Frequency 645Hz

SPL 133.2dB @ 1 metre

Coding 2 sec ON, 18 sec OFF, standard setting or Morse code letter 'U',
 256 field-selectable codes available

Environmental Marine Atmosphere; Temperature Range -40°C to +70°C;
 100% Relative Humidity

Weights and Measurements

Standalone 168.6kg (375lb)

Shipping 208.6kg (460lb)

Volume 1.92m³ (68 cu ft)

NOTE: Specifications are subject to change.