

SolaMAX SERIES



TIDELAND SIGNAL CORPORATION

Self-Contained Solar-Powered Navigational Lanterns

Tideland Signal has merged its patented, proven MaxLumina® lens technology, 21st century LED technology, solar modules and batteries to provide low maintenance and long-range, self-contained signal lanterns, SolaMAX-140 and SolaMAX-155.

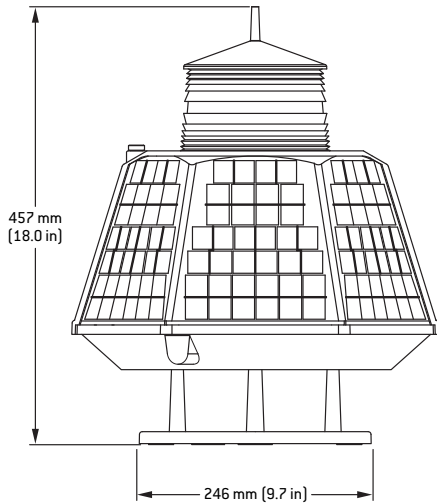
The SolaMAX SERIES self-contained lanterns provide the proper light patterns for a variety of applications: SolaMAX-140 is used where a wide beam is needed, such as in compensating for buoy roll or for high bridge applications; SolaMAX-155 projects a higher intensity, narrow beam for fixed structure applications. SolaMAX lanterns provide trouble-free service in rigorous coastal environments.

FEATURES:

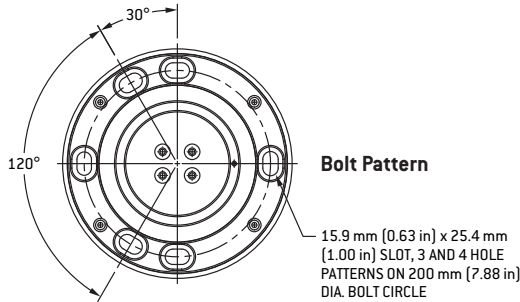
- User selectable power setting for visual range
- Battery test and charge mode selection without opening lantern housing (QuickCheck)
- 256 user selectable flash characters
- SignalView program to set user options
- Temperature compensated LED drive circuits ensure uniform brightness with ambient temperature change
- Availability in all IALA approved colours
- Constant current power source for maximum LED lifetime
- Optional GPS synchronisation module
- Photovoltaic system sized for demanding locations
- Seasonal shutdown
- Full monitor and control capability



SolaMAX-140 (6-panel photovoltaic system).



SolaMAX 140/155-6



Bolt Pattern

15.9 mm (0.63 in) x 25.4 mm (1.00 in) SLOT, 3 AND 4 HOLE PATTERNS ON 200 mm (7.88 in) DIA. BOLT CIRCLE



SolaMAX-140 and 155 are UL listed for Class I, Division 2, Group D.

SPECIFICATIONS

Rating	
SolaMAX-140/155.....	4 watts (fixed flash)
Colours Available	Red, green, yellow, white (blue upon request)
Visibility	360° horizon (omnidirectional)
Lens Diameter	155 mm
Typical Vertical Divergences @ 50% (varies by colour)	
SolaMAX-140	> 8°
SolaMAX-155	> 5°
Operating Temperature	-40° to +60° C
Battery Type	NiMH or Lead Acid
Weight (varies by battery option)	
SolaMAX-140/155.....	5.26 kg (11.6 lbs) max
IP Rating	IP65

NOTE: Specifications are subject to change.



Effective Intensity Tables can be found on our website at www.tidelandsignal.com

**TIDELAND SIGNAL CORPORATION
CORPORATE HEADQUARTERS**

P.O. Box 52430
Houston, Texas 77052-2430, USA
4310 Directors Row
Houston, Texas 77092 USA
PH: + 1 713-681-6101
FAX: + 1 713-681-6233
E-MAIL: hq@tidelandsignal.com

P.O. Box 52370, O.C.S.
Lafayette, Louisiana 70505-2370, USA
PH: + 1 337-269-9113
FAX: + 1 337-269-9052
E-MAIL: lafayettesales@tidelandsignal.com

TIDELAND SIGNAL CANADA LTD.
#2170-21331 Gordon Way
Richmond, B.C., Canada V6W 1J9
PH: + 1 604-247-0988
FAX: + 1 604-247-0987
E-MAIL: sales@tidelandsignalcanada.com

TIDELAND SIGNAL PTE. LTD.
Crystal Time Building
16 Tannery Lane #04-00
Singapore 347778
PH: + 65 6333-0078
FAX: + 65 6333-0079
E-MAIL: sales@tidelandsignal.com.sg

TIDELAND SIGNAL LIMITED
Kendal House
Victoria Way
Burgess Hill, Sussex, RH15 9NF, UK
PH: + 44 (0) 1444 872240
FAX: + 44 (0) 1444 872241
E-MAIL: sales@tidelandsignal.ltd.uk

TIDELAND SIGNAL LTD. (UAE)
FZS1 BB03, JAFZA South
Jebel Ali Free Zone, Dubai, U.A.E.
PH: + 971 4-886-0180
FAX: + 971 4-886-0181
E-MAIL: sales@tidelandsignal.ltd.uk

WEB SITE: www.tidelandsignal.com



Tideland Signal Corporation maintains ISO 9001:2000 accreditation. It is company policy to provide products and services that meet the highest standards of quality in the industry.

Membership Organisations

