

SB-1000

Sentinel® Multi-Purpose Buoy



TIDELAND ENGINEERED

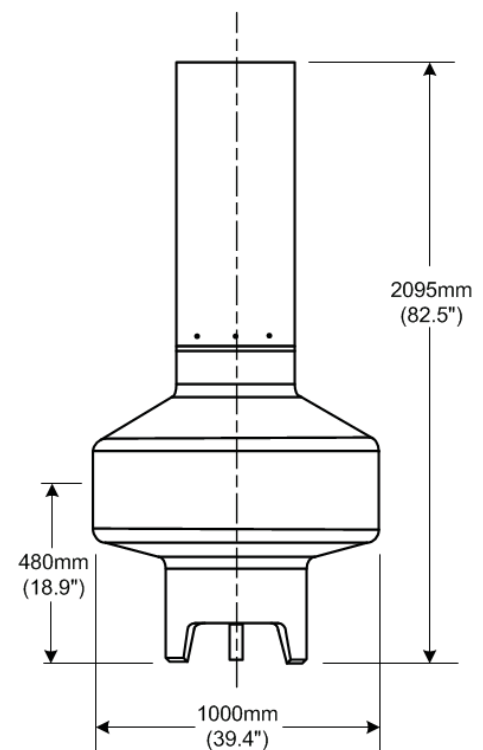
SB-1000 is a product of Tideland's continued development of high performance, low maintenance, cost effective, multipurpose buoys. The unique design of the buoy allows it to be deployed in a variety of applications that include shallow water, channel edges, rivers up to 4 knots current, marinas and harbours.

FEATURES


- **UV-stabilised polyethylene** - rotationally moulded to form a seamless hull, 9.5mm thick, able to withstand knocks and/or collisions. Through a unique mould design and a controlled process, an increased thickness is formed at major stress points. This rugged material is abrasion resistant and reduces marine growth. Polyethylene eliminates the need for costly sandblasting and painting.
- **Long-term strength** – equipped with a stainless steel mooring and lifting eye, the buoy is easily handled. SB-1000 buoy is EPS foam filled to prevent water ingress in event of a puncture. As with all Sentinel® buoys, minor punctures are on-station repairable.
- **Colours** – SB-1000 is available in all recommended IALA colours.
- **Lantern** - An L-120 lantern (or similar) can be fitted to the top for nighttime applications.



SB-1000 has a flat top and will accept an L-120 lantern or similar.



SPECIFICATIONS

Construction	Rotationally moulded in medium density UV-stabilised virgin polyethylene, 9.5mm thick
Foam Filling	16kg/m ³ expanded polystyrene foam
Air Weight	89kg (196lb)
Diameter	1000mm (39in)
Focal Plane Height	1633mm (64in)
Draft	478mm (19in)
Freeboard	274mm (11in)
Submergence	8kg/cm (45lb/in)
Surface Colour	As Specified
Radar Reflector	10m ²
Maximum Mooring Load	227kg (500 lb)
Maximum Current	4 knots
NOTE: Specifications are subject to change	

MOORING DATA

SB-1000 Mooring Table for Currents of Less than 2 Knots

Water Depth	Chain Length	Chain Size	Sinker Air Weight
2.5m	6m	3/4"	80kg
5m	10m	3/4"	85kg
7.5m	15m	5/8"	95kg
10m	18m	5/8"	100kg
12.5m	25m	1/2"	105kg
15m	30m	1/2"	115kg
20m	35m	1/2"	125kg

Recommendation is to use a 250kg minimum sinker for above conditions

SB-1000 Mooring Table for Currents of Less than 4 Knots

Water Depth	Chain Length	Chain Size	Sinker Air Weight
2.5m	11m	3/4"	295kg
5m	20m	5/8"	320kg
7.5m	35m	1/2"	345kg
10m	40m	1/2"	375kg
12.5m	45m	1/2"	400kg
15m	50m	1/2"	425kg
20m	60m	1/2"	475kg

Recommendation is to use a 500kg minimum sinker for above conditions (650kg for 15 to 20m)

TIDELAND SIGNAL CORPORATION CORPORATE HEADQUARTERS (Houston, TX)

TEL + 1 713-681-6101
FAX + 1 713-681-6233
EMAIL hq@tidelandsignal.com

TIDELAND SIGNAL CORPORATION (Lafayette, LA)

TEL + 1 337-269-9113
FAX + 1 337-269-9052
EMAIL lafayettesales@tidelandsignal.com

TIDELAND SIGNAL CANADA LTD

(Vancouver and Ottawa)

TEL + 1 604-247-0988
FAX + 1 604-247-0987
EMAIL canada-sales@tidelandsignal.com

TIDELAND SIGNAL PTE LTD (Singapore)

TEL + 65 6333-0078
FAX + 65 6333-0079
EMAIL sales@tidelandsignal.com.sg

TIDELAND SIGNAL LTD (Burgess Hill, UK)

TEL + 44 (0) 1444 872240
FAX + 44 (0) 1444 872241
EMAIL sales@tidelandsignal.ltd.uk

TIDELAND SIGNAL LTD (Dubai, UAE)

TEL + 971 4-886-0180
FAX + 971 4-886-0181
EMAIL sales@tidelandsignal.ltd.uk

WEBSITE www.tidelandsignal.com



ISO 9001:2008
Certificate
Number: 30061

ISO 9001:2008

Tideland Signal Corporation maintains ISO 9001:2008 accreditation. It is company policy to provide products and services that meet the highest standards of quality in the industry.

Membership Organisations



Sentinel is a registered trademark of Tideland Signal Corporation.

© Tideland Signal Corporation 2009
117R01