

MLED-150Ex

10 NM External-Powered Marine Lantern



TIDELAND SIGNAL CORPORATION

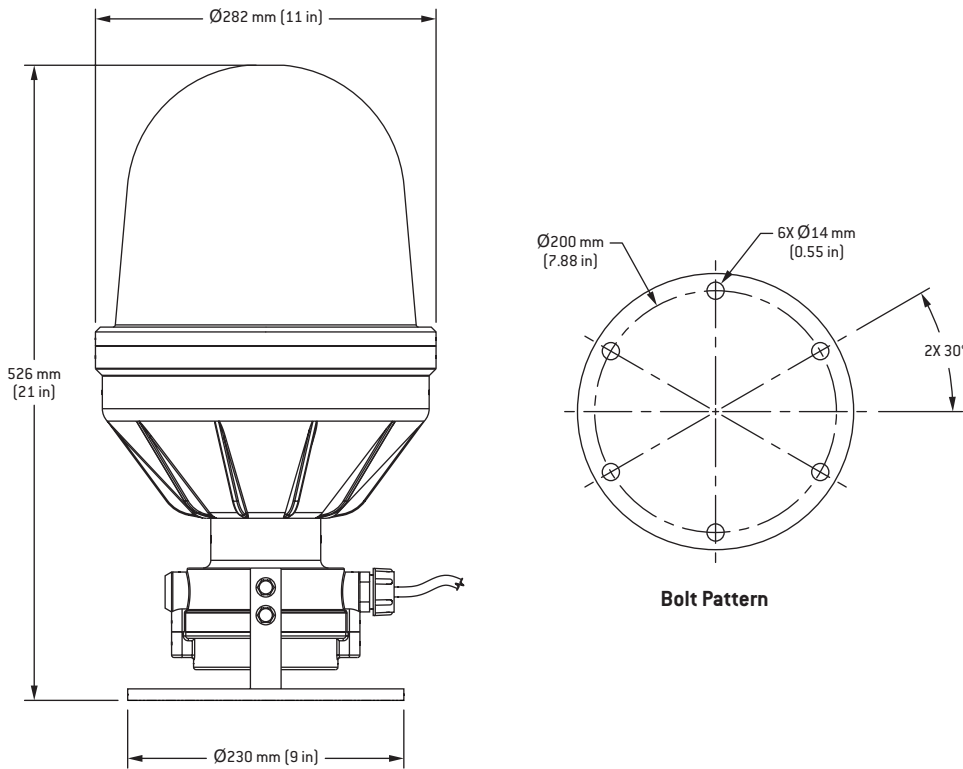
MLED-150Ex brings the benefits of LED technology, low power, high reliability and low maintenance, to the Zone 1 environment. The flasher and optical source assembly, designated MaxiHALO-150, is designed after the proven MaxiHALO-60. The MaxiHALO-150 is installed in a rugged Exd well glass housing used in the rigors of offshore atmospheres. The MLED-150Ex is compatible with current Tideland Signal lanterns and is configurable as a Secondary (Standby) light. When used in a main and secondary pair installation, the Secondary light monitors the Main light and, upon failure, automatically begins operation. Onboard software constantly monitors operation of the MLED-150Ex and initiates an alarm signal if critical operation parameters are exceeded. The MLED-150Ex produces an omnidirectional beam of 10 NM visual range with $T = 0.74$ (16 NM with $T = 0.85$).

FEATURES:

- User selectable power settings
- 256 user selectable flash characters
- Temperature compensated LED drive circuits ensure uniform brightness with changes in ambient temperature
- Full monitor and control capability
- Fail output terminal for go/nogo monitoring
- Constant current power source maximises LED life
- Optional GPS synchronisation module



MLED-150Ex is ideal for use as a Secondary light or as a standalone 10 NM light for use in hazardous gas environments like LNG terminals and jetties. Fitted with a MaxiHALO-150 Red flasher, MLED-150Ex can be used as a subsidiary lantern.



SPECIFICATIONS

Input Voltage	9 to 36 VDC
Power Consumption	Variable up to 20 Watts
Power Setting	Field selectable
Colours Available	Red, green, yellow, white and blue
Quiescent Current	< 7mA
Visibility	360° horizon (omnidirectional)
Vertical Divergence	3.7°
Monitor and Control	Capable
Flash Codes	256 codes
Synchronisation	GPS or hard wire options
Sunswitch Threshold	Variable
Weight	15 kg (33 lb)
Operating Temperature	-40° to +60° C
Relative Humidity	100% condensing
Atmosphere	Rated for operation in salt air
Wind	Designed to withstand speeds in excess of 320 kmph (200 mph)
IP Rating	IP65

EEx de IIC T3 / T200°C
EEx de IIC T4 / T135°C
Tamb. -50°C / +40°C; -50°C / +60°C



NOTE: Specifications are subject to change.

TIDELAND SIGNAL CORPORATION CORPORATE HEADQUARTERS

P.O. Box 52430
 Houston, Texas 77052-2430, USA
 4310 Directors Row
 Houston, Texas 77092 USA
 PH: + 1 713-681-6101
 FAX: + 1 713-681-6233
 E-MAIL: hq@tidelandsignal.com

P.O. Box 52370, O.C.S.
 Lafayette, Louisiana 70505-2370, USA
 PH: + 1 337-269-9113
 FAX: + 1 337-269-9052
 E-MAIL: lafayettesales@tidelandsignal.com

TIDELAND SIGNAL CANADA LTD.
 #2170-21331 Gordon Way
 Richmond, B.C., Canada V6W 1J9
 PH: + 1 604-247-0988
 FAX: + 1 604-247-0987
 E-MAIL: sales@tidelandsignalcanada.com

TIDELAND SIGNAL PTE. LTD.
 Crystal Time Building
 16 Tannery Lane #04-00
 Singapore 347778
 PH: + 65 6333-0078
 FAX: + 65 6333-0079
 E-MAIL: sales@tidelandsignal.com.sg

TIDELAND SIGNAL LIMITED
 Kendal House
 Victoria Way
 Burgess Hill, Sussex, RH15 9NF, UK
 PH: + 44 (0) 1444 872240
 FAX: + 44 (0) 1444 872241
 E-MAIL: sales@tidelandsignal.ltd.uk

TIDELAND SIGNAL LTD. (UAE)
 FZS1 BB03, JAFZA South
 Jebel Ali Free Zone, Dubai, U.A.E.
 PH: + 971 4-886-0180
 FAX: + 971 4-886-0181
 E-MAIL: sales@tidelandsignal.ltd.uk

WEB SITE: www.tidelandsignal.com



Tideland Signal Corporation maintains ISO 9001:2008 accreditation. It is company policy to provide products and services that meet the highest standards of quality in the industry.

Membership Organisations



PRINTED IN U.S.A.

© Tideland Signal Corporation 2009 – BD14R0