

SB-1000

SENTINEL® MULTI-PURPOSE BUOY

SB-1000 is a product of Tideland's continued development of high performance, low maintenance, cost effective, multipurpose buoys. The unique design of the buoy allows it to be deployed in a variety of applications that include shallow water, channel edges, rivers up to 4 knots current, marinas and harbours.

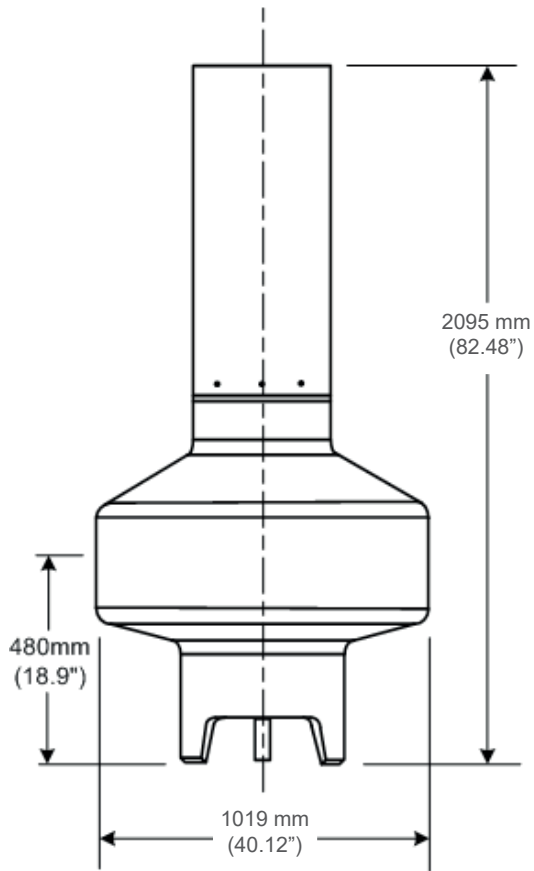
FEATURES

- UV-stabilised polyethylene - rotationally moulded to form a seamless hull, 9.5mm thick, able to withstand knocks and/or collisions. Through a unique mould design and a controlled process, an increased thickness is formed at major stress points. This rugged material is abrasion resistant and reduces marine growth. Polyethylene eliminates the need for costly sandblasting and painting.
- Long-term strength - equipped with a stainless steel mooring and lifting eye, the buoy is easily handled. SB-1000 buoy is EPS foam filled to prevent water ingress in event of a puncture. As with all Sentinel® buoys, minor punctures are on-station repairable.
- Colours - SB-1000 is available in all recommended IALA colours.
- Lantern - An L-120 lantern (or similar) can be fitted to the top for nighttime applications.



**TIDELAND**
a xylem brand

SB-1000 SENTINEL® MULTI-PURPOSE BUOY



Technical Details

Construction	Rotationally moulded in medium density UV-stabilised virgin polyethylene, 9.5mm thick
Foam Filling	16kg/m ³ expanded polystyrene foam
Air Weight	122kg (268lb)
Diameter	1000mm (39in)
Focal Plane Height	1633mm (64in)
Draft	478mm (19in)
Freeboard	274mm (11in)
Submergence	8kg/cm (45lb/in)
Surface Colour	As Specified
Radar Reflector	10m ²
Maximum Mooring Load	227kg (500lb)
Maximum Current	4 knots

SB-1000 Mooring Table for Currents of Less than 2 Knots

Water Depth	Chain Length	Chain Size	Sinker Air Weight
2.5m	6m	3/4"	80kg
5m	10m	3/4"	85kg
7.5m	15m	5/8"	95kg
10m	18m	5/8"	100kg
12.5m	25m	1/2"	105kg
15m	30m	1/2"	115kg
20m	35m	1/2"	125kg

Recommendation is to use a 250kg minimum sinker for above conditions.

SB-1000 Mooring Table for Currents of Less than 4 Knots

Water Depth	Chain Length	Chain Size	Sinker Air Weight
2.5m	11m	3/4"	295kg
5m	20m	5/8"	320kg
7.5m	35m	1/2"	345kg
10m	40m	1/2"	375kg
12.5m	45m	1/2"	400kg
15m	50m	1/2"	425kg
20m	60m	1/2"	475kg

Recommendation is to use a 500kg minimum sinker for above conditions. (650kg for 15 to 20m)



Tideland Signal Corporation
(USA)
us-sales@tidelandsignal.com

Tideland Signal Ltd
(Canada)
canada-sales@tidelandsignal.com

Tideland Signal Ltd
(Burgess Hill, UK)
emea-sales@tidelandsignal.com

Tideland Signal
(The Netherlands)
emea-sales@tidelandsignal.com

Tideland Signal Ltd
(Dubai, UAE)
emea-sales@tidelandsignal.com

Tideland Signal Pte Ltd
(Singapore)
asia-sales@tidelandsignal.com

Tideland Signal Pte Ltd
(Tianjin, China)
asia-sales@tidelandsignal.com

www.tidelandsignal.com