

MaxLED 200

LONG RANGE MARINE SIGNAL LANTERN

MaxLED 200 features unique proprietary optics engineered to project a 360°, horizontal, high-intensity, long range beam, in excess of 10NM. Efficient, compact, one piece, powerful lenses are available in either wide or narrow vertical divergences, making the MaxLED 200 an excellent choice for a broad range of applications including buoys, offshore structures and land-based installations including lighthouse upgrades.

Constructed of rugged, corrosion-resistant marine aluminum, MaxLED 200 is able to withstand the most severe environments, including icing regions of extreme latitudes. A combination of high efficiency optics, power conditioning circuitry and high intensity LEDs makes MaxLED 200 ideal for solar power installations. Proven LED technology merged with redundant power supplies provide highest reliability, for years of uninterrupted service.

Characteristics

- User selectable intensity settings
- User selectable flash characters
- Full monitor and control capable
- Redundant high efficiency power supplies assure light operation is sustained in the event of failure of one power supply or LED series string
- A constant current power source provides maximum lifetime of LEDs
- Temperature compensated LED drive circuits ensure uniform brightness with ambient temperature change
- Choice of lens for wide or narrow vertical beams
- SignalView™ program for easy setting of options
- Available in all IALA approved colours



a xylem brand

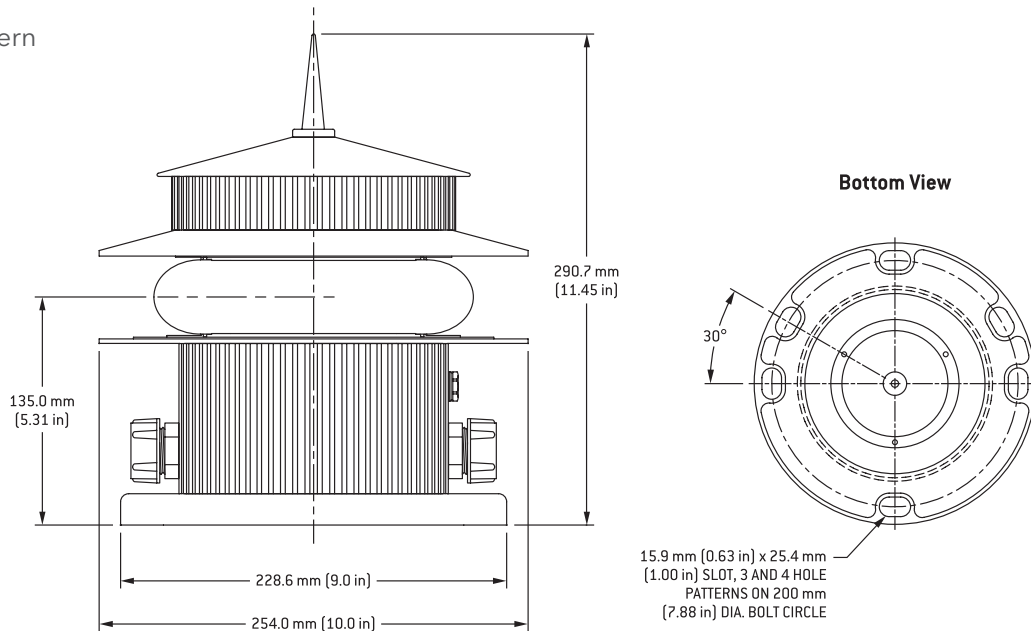
MaxLED 200

Technical Details

Input Voltage	9 to 36VDC
Power Consumption	Variable up to 39W
Colours Available	Red, green, yellow, white and blue
Quiescent Current	< 7mA
Lens Type	1 piece acircular cylindrical acrylic
Visibility	360° horizon (omnidirectional)
Lens Diameter	200mm
Vertical Divergence	Optional 3.5° or 7°
Monitor and Control	Capable
Synchronisation	GPS or hard wire options
Lantern Housing	Marine grade aluminum
Height	290.7mm (11.5in)
Diameter	
Overall	254mm (10.0in)
Base Plate	228mm (9.0in)
Weight	4.8kg (10.5lb)
Operating temperature	-40° C to +60° C
Relative Humidity	100% condensing
Atmosphere	Rated for continuous operation in salt air
Wind	Designed to withstand speeds in excess of 320 kmph (200 mph)
IP Rating	IP66

NOTE: Specifications are subject to change.

Long Range Marine Signal Lantern



Tideland Signal Corporation
(USA)
us-sales@tidelandsignal.com

Tideland Signal Ltd
(Canada)
canada-sales@tidelandsignal.com

Tideland Signal Ltd
(Burgess Hill, UK)
emea-sales@tidelandsignal.com

Tideland Signal
(The Netherlands)
emea-sales@tidelandsignal.com

Tideland Signal Ltd
(Dubai, UAE)
emea-sales@tidelandsignal.com

Tideland Signal Pte Ltd
(Singapore)
asia-sales@tidelandsignal.com

Tideland Signal Pte Ltd
(Tianjin, China)
asia-sales@tidelandsignal.com

www.tidelandsignal.com