

# AB-26

AUDIOBEAM® UL-LISTED 1/2NM FOG SIGNAL

**AB-26 Audiobeam® is an electrically powered fog signal that automatically broadcasts a 360° beam of sound in the horizontal plane to a preselected code.**

It is UL listed as suitable for use in Class I, Division 2, Group D hazardous locations and also certified for ATEX CAT3 EEx nL IIA locations. The AB-26 is United States Coast Guard approved. The IALA usual range for this fog signal is 1/2NM.

## Characteristics

- **ELECTRONIC CONTROL UNIT** - Contained within the hinged top section are the electronic controls utilising a patented solid-state power amplifier, a time delay circuit with three-position switch and a unijunction control-led timer. Timer uses Tideland's OMNIBUS® circuitry technology, which allows two or more fog signal units to be synchronised to sound sequentially or in unison.
- **ELECTRODYNAMIC DRIVER UNITS** - A heavy-duty driver powers a dualresonant emitter. Enclosed in the AB-26 weatherproof housing, it is engineered for efficiency and long on-station life, operating at less than 25% of rated capacity.
- **STRUCTURE** - AB-26 structure is 5052-H32 aluminium with primer wash and Polane epoxy coating. The fog signal is completely assembled and wired, ready for field connection with 3/4-inch NPT cable entry and six 3/4-inch NPT UL-Listed NavGrip®
- **POWER** - AB-26 is designed for unattended operation from a source of 12 volts DC primary or secondary energy cells. It can be operated from Tideland's SolaViva® solar power generator, or from mains power using a Tideland Signal power supply or charger and secondary energy cell.



## Additional Features

- All recognised signal codes, available.
- All morse code letters.
- Precision frequency standard, accurate to 0.2%.
- Tideland patented solid-state dissipationless power regulator.
- Corrosion protection, provided by conformal coating.
- Off-time current drain 0.04 ampere maximum.
- AB-26 Audiobeam® comes with a one year warranty against defective material and workmanship.



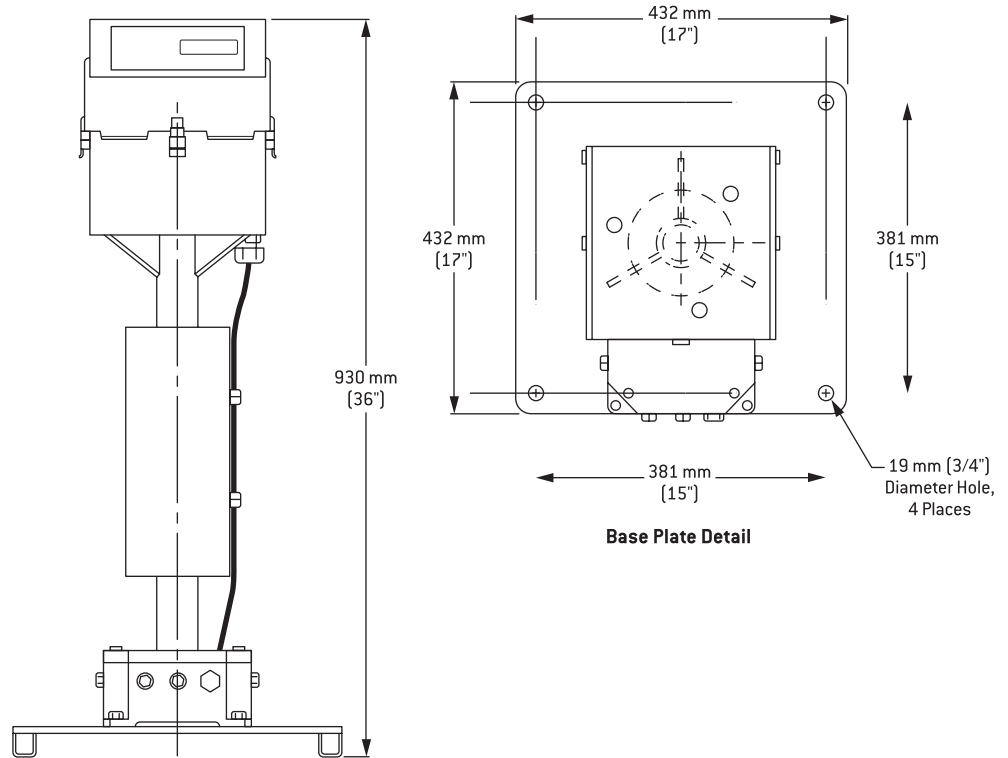
# AB-26

## Technical Details

<b>Range</b>	1/2NM (Per 33 CFR 67.10 and usual range recommended by IALA)
<b>Input</b> Voltage Current @ 12VDC	10 - 14VDC 2A maximum
<b>Output</b> Frequency SPL	660Hz 120.5dB @ 1 metre
<b>Coding</b>	2 sec ON, 18 sec OFF, standard setting or Morse code letter
<b>Environmental</b>	Marine Atmosphere; Temperature Range NEC Class I Division 2: -200 C to +400 C or -200 C to +550 C, the deciding factor is the Required "T" rating. T6 max temperature +550 C, T5 max 0 C Temperature +400 C ATEX: Ambient -200 C to +400 C
<b>Weights and Measurements</b> Standalone Shipping	30.8kg (68lb) 36.3kg (80lb)

NOTE: Specifications are subject to change.

UL-Listed  
1/2 NM Fog Signal



**AB-26 Fog Signal, UL Listed**  
**Total Weight: 30.8 kg (68 lb)**



Tideland Signal Corporation  
(USA)  
us-sales@tidelandsignal.com

Tideland Signal Ltd  
(Canada)  
canada-sales@tidelandsignal.com

Tideland Signal Ltd  
(Burgess Hill, UK)  
emea-sales@tidelandsignal.com

Tideland Signal  
(The Netherlands)  
emea-sales@tidelandsignal.com

Tideland Signal Ltd  
(Dubai, UAE)  
emea-sales@tidelandsignal.com

Tideland Signal Pte Ltd  
(Singapore)  
asia-sales@tidelandsignal.com

Tideland Signal Pte Ltd  
(Tianjin, China)  
asia-sales@tidelandsignal.com

[www.tidelandsignal.com](http://www.tidelandsignal.com)